

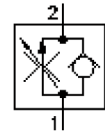
2-way flow control screw-in valve (adjustable)

FAR1-10.-C-0

MF-200-101-00

(subject to change)

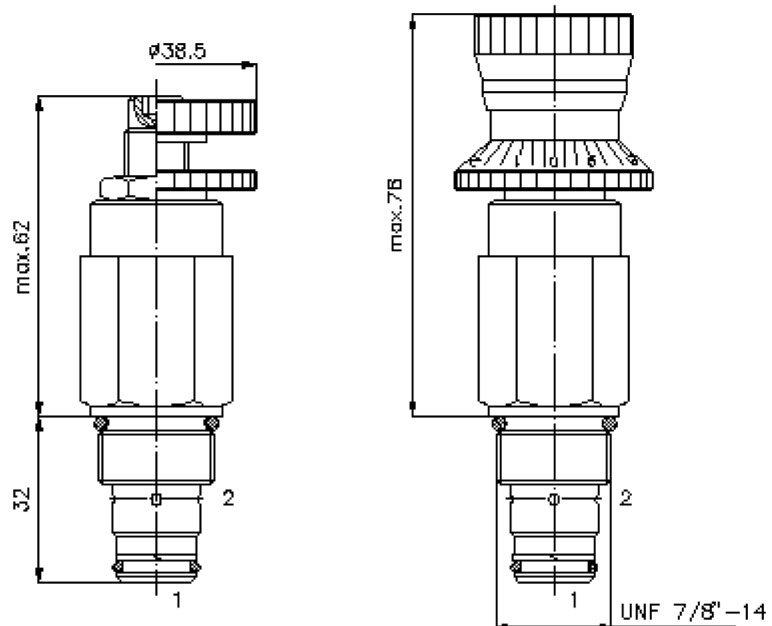
FAT-N



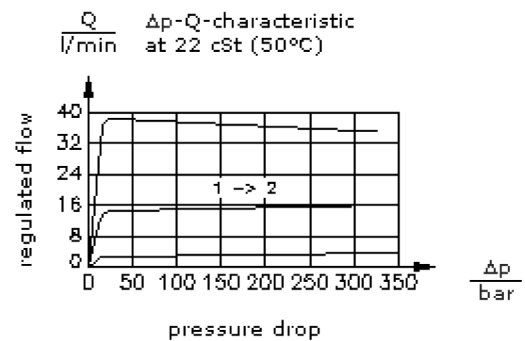
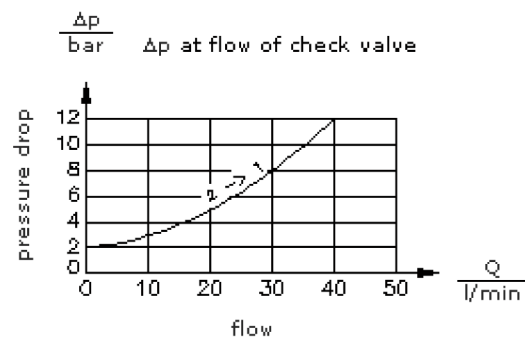
HEX 3/16"

HEX 3/4"

HEX 1"
(torque
cartridge:
48 - 54 Nm)



cavity:
C-10-2
see
data-sheet no.:
IK-100-109-00



2-way flow control screw-in valve (adjustable)

FAR1-10.-C-0

MF-200-101-00

(subject to change)

FAT•N

Ordering example:

FAR1 - 10N - S - 0
| | | |
A **B** **C** **D**

Model code:

- | | |
|--|---|
| <p>A design
flow regulator valve
pressure independent</p> <p>B size and sealing
10N = Buna (NBR)
10V = Viton (FPM)</p> <p>C adjustment
S = screw adjustment
C = cap
K = handknob
H = calibrated handknob with locknut</p> | <p>D construction
0 = screw-in valve</p> |
|--|---|

Technical Data:

note:	left turn (counter clockwise) = increasing flow right turn (clockwise) = reducing flow
nominal pressure:	350 bar
nominal flow:	38 l/min
weight:	0.25 kg
inlet flow:	38 l/min
leakage:	closed valve 0.4 l/min at 22 cSt (50°C) at 210 bar
temperature range:	-40°C to 120°C
fluids:	hydraulic oil as per DIN 51524 T1 (ISO TC 131)
check valve:	crack pressure = 1.7 bar
^p pressure compensator:	14 bar
regulation range:	1 - 38 l/min
regulation accuracy:	1 - 4 l/min ±, 20%, > 4 l/min ± 10%
seals:	optional Buna (NBR) or Viton (FPM), as well as Teflon wascher (PTFE)
cavity:	C-10-2 see datasheet no. IK-100-109-00
housing:	2LH-10.-B.. see datasheet no. IH-100-000-00
seal kit:	SP-MDS-10N-21 (NBR), SP-MDS-10V-21 (FPM)