

2-way flow control screw-in valve (adjustable)

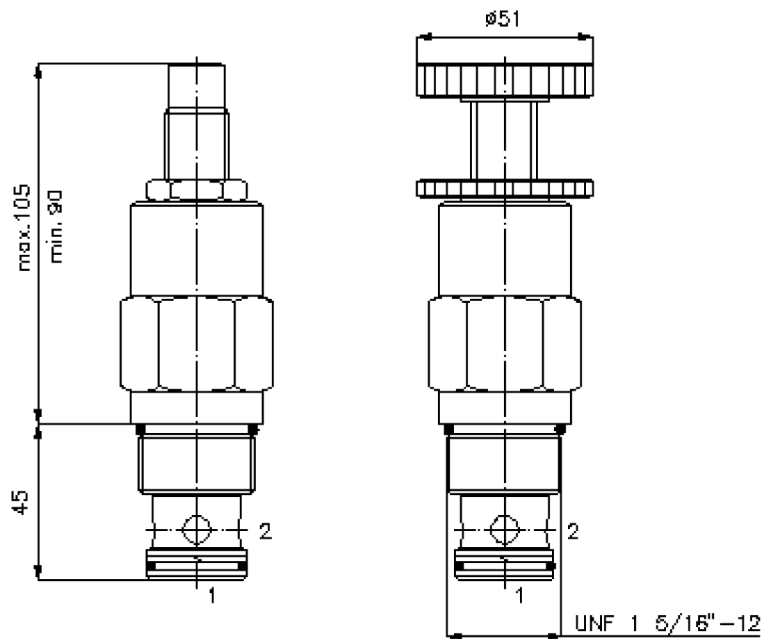
FR2-16.-.-0-.....



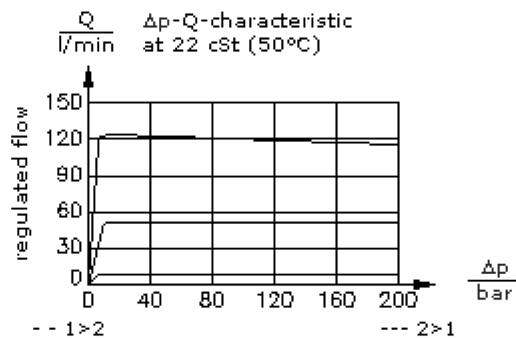
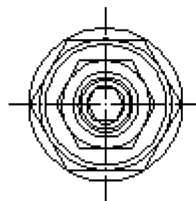
HEX 3/4"

HEX 1 1/2"
(torque
cartridge:
109 - 122 Nm)

cavity:
C-16-2
see
data-sheet no.:
IK-100-169-00



HEX 3/8"



2-way flow control screw-in valve (adjustable)

FR2-16.-.-0-.....



Motrac Hydraulik GmbH
Siemensring 87 - D-47877 Willich
fon +49-(0)2154-8162.0 - fax +49-(0)2154-8162.499
e-mail info.miw@motracindustries.com
internet www.motracindustries.com

FAT•N

MF-140-160-00

(subject to change)

Ordering example:

FR2 - 16N - C - 0 - 03.00
| | | | |
A **B** **C** **D** **E**

Model code:

- | | |
|---|---|
| A design
flow regulator valve | E quantity adjustment
requested regulated flow
Q specify in gpm
1 l/min = 0.265 Gpm
(1 Gpm = 3.785 l/min)
regulation tolerance
2.0 - 11.0 l/min ±15%
11.0 - 114.0 l/min ±10% |
| B size and sealing
16N = Buna (NBR)
16V = Viton (FPM) | |
| C adjustment
S = screw adjustment
K = handknob | |
| D construction
0 = screw-in valve | |

Technical Data:

note:	max. 50% volumen-reduction of the factory set flow
nominal pressure:	210 bar
nominal flow:	114 l/min
weight:	0.71 kg
temperature range:	-40°C to 120°C
fluids:	hydraulic oil as per DIN 51524 T1 (ISO TC 131)
seals:	optional Buna (NBR) or Viton (FPM), as well as Teflon wascher (PTFE)
cavity:	C-16-2 see datasheet no. IK-100-169-00
housing:	2LH-16.-B.. see datasheet no. IH-100-000-00
seal kit:	SP-MDS-16N-21 (NBR), SP-MDS-16V-21 (FPM)