

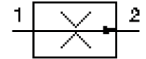
2-way flow control screw-in valve (fixed)

FR1-20.-F-0-.....

MF-120-200-00

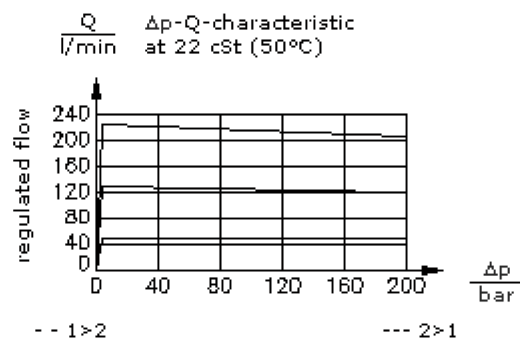
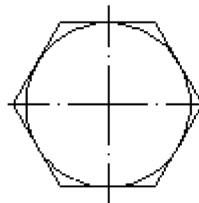
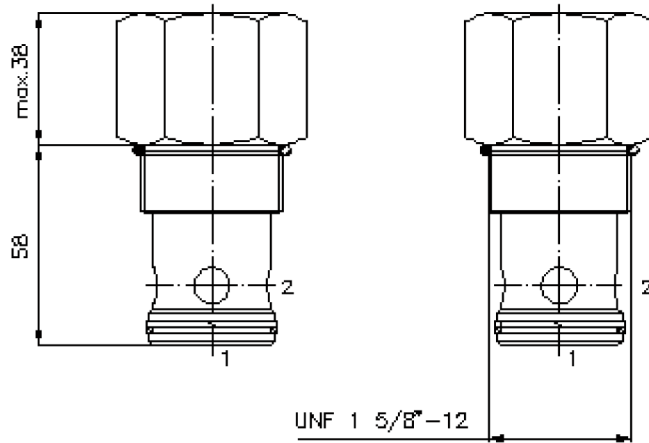
(subject to change)

FAT•N



HEX 1 7/8"
(torque
cartridge:
129 - 155 Nm)

cavity:
C-20-2
see
data-sheet no.:
[IK-100-209-00](#)



2-way flow control screw-in valve (fixed)

FR1-20.-F-0-.....



Motrac Hydraulik GmbH
Siemensring 87 - D-47877 Willich
fon +49-(0)2154-8162.0 - fax +49-(0)2154-8162.499
e-mail info.miw@motracindustries.com
internet www.motracindustries.com

FAT•N

MF-120-200-00

(subject to change)

Ordering example:

FR1 - 20N - F - 0 - 12.00
| | | | |
A **B** **C** **D** **E**

Model code:

- A** **design**
flow regulator valve
- B** **size and sealing**
20N = Buna (NBR)
20V = Viton (FPM)
- C** **adjustment**
F = fixed
- D** **construction**
0 = screw-in valve

- E** **quantity adjustment**
requested regulated flow
Q specify in gpm
1 l/min = 0.265 Gpm
(1 Gpm = 3.785 l/min)
regulation tolerance
4.0 - 20.0 l/min ±15%
20.0 - 227.0 l/min ±10%

Technical Data:

| | |
|---------------------------|--|
| nominal pressure: | 210 bar |
| nominal flow: | 227 l/min |
| weight: | 0.82 kg |
| temperature range: | -40°C to 120°C |
| fluids: | hydraulic oil as per DIN 51524 T1 (ISO TC 131) |
| seals: | optional Buna (NBR) or Viton (FPM), as well as Teflon wascher (PTFE) |
| cavity: | C-20-2 see datasheet no. IK-100-209-00 |
| housing: | 2LH-20.-B.. see datasheet no. IH-100-000-00 |
| seal kit: | SP-MDS-20N-21 (NBR), SP-MDS-20V-21 (FPM) |