

# 2-way flow control screw-in valve (fixed)

FR5-10.-F-0-.....

MF-110-101-00

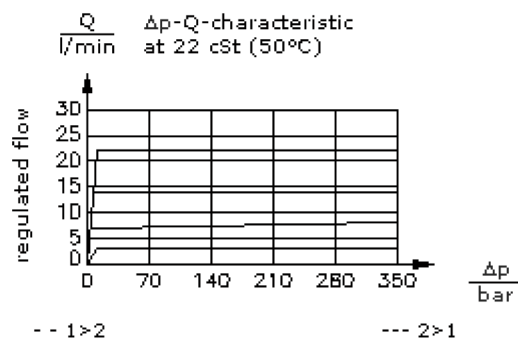
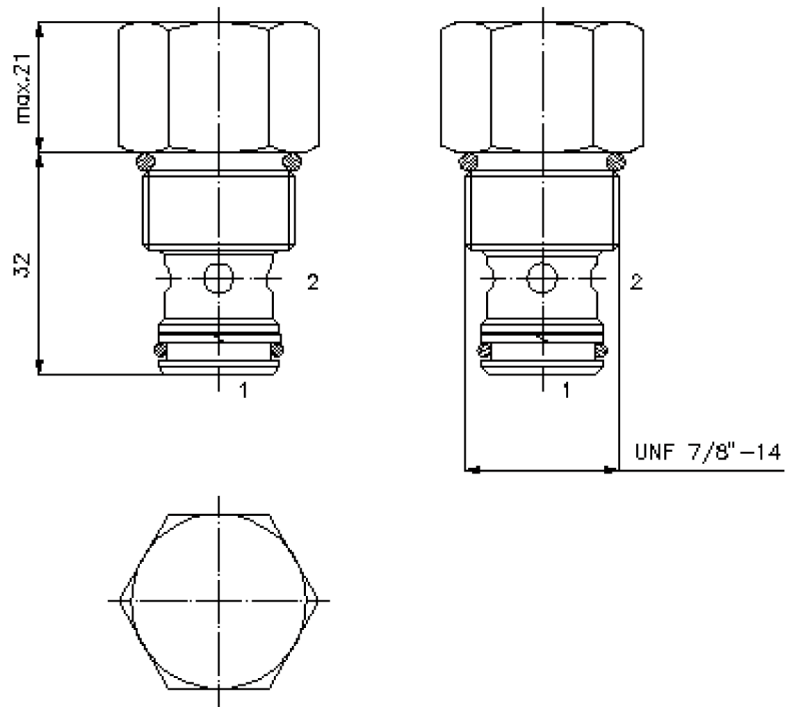
(subject to change)

FAT•N



HEX 1"  
(torque  
cartridge:  
48 - 54 Nm)

cavity:  
C-10-2  
see  
data-sheet no.:  
[IK-100-109-00](#)



# 2-way flow control screw-in valve (fixed)

FR5-10.-F-0-.....



Motrac Hydraulik GmbH  
Siemensring 87 - D-47877 Willich  
fon +49-(0)2154-8162.0 - fax +49-(0)2154-8162.499  
e-mail info.miw@motracindustries.com  
internet www.motracindustries.com

FAT•N

MF-110-101-00

(subject to change)

## Ordering example:

FR5 - 10N - F - 0 - 04.00  
|       |       |       |       |  
**A**    **B**    **C**    **D**    **E**

## Model code:

- A** **design**  
flow regulator valve
- B** **size and sealing**  
10N = Buna (NBR)  
10V = Viton (FPM)
- C** **adjustment**  
F = fixed
- D** **construction**  
0 = screw-in valve

- E** **quantity adjustment**  
requested regulated flow  
Q specify in gpm  
1 l/min = 0.265 Gpm  
(1 Gpm = 3.785 l/min)  
regulation tolerance  
0.4 - 2.0 l/min ±20% (210 bar)  
0.4 - 2.0 l/min ±40% (350 bar)  
2.0 - 6.0 l/min ±15%  
6.0 - 23.0 l/min ±10%

## Technical Data:

- nominal pressure:** 350 bar
- nominal flow:** 23 l/min
- weight:** 0.12 kg
- temperature range:** -40°C to 120°C
- fluids:** hydraulic oil as per DIN 51524 T1 (ISO TC 131)
- seals:** optional Buna (NBR) or Viton (FPM), as well as Teflon wascher (PTFE)
- cavity:** C-10-2 see datasheet no. [IK-100-109-00](#)
- housing:** 2LH-10.-B.. see datasheet no. [IH-100-000-00](#)
- seal kit:** SP-MDS-10N-21 (NBR), SP-MDS-10V-21 (FPM)