

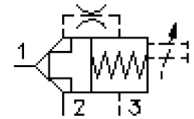
# 2 way, 2 position logic poppet valve type "S"

DPS2-16.-S-.-0-...-

MD-710-162-00

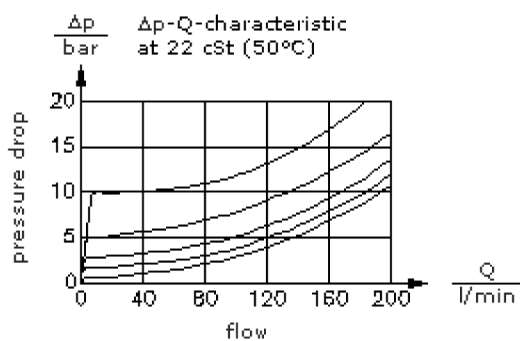
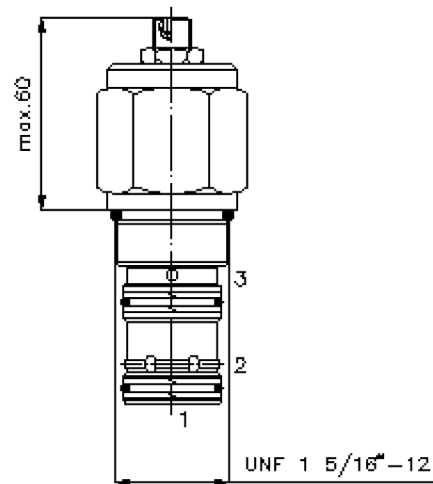
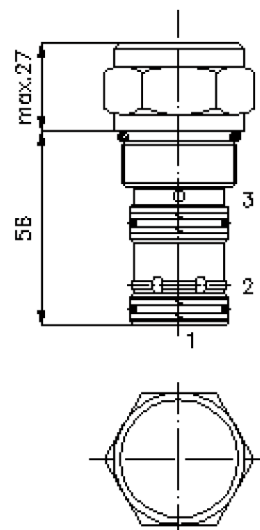
(subject to change)

**FAT-N**



HEX 1 1/2"  
(torque  
cartridge:  
109 - 122 Nm)

cavity:  
C-16-3S  
see  
data-sheet no.:  
[IK-200-169-00](#)



# 2 way, 2 position logic poppet valve type "S"

DPS2-16.-S-.0-....



Motrac Hydraulik GmbH  
Siemensring 87 - D-47877 Willich  
fon +49-(0)2154-8162.0 - fax +49-(0)2154-8162.499  
e-mail info.mhw@motracindustries.com  
internet www.motracindustries.com

MD-710-162-00

(subject to change)

FAT•N

## Ordering example:

DPS2 - 16N - S - F - 0 - 040 - FF

A	B	C	D	E	F	G
---	---	---	---	---	---	---

## Model code:

- |   |  |
|---|--|
| <b>A</b> <b>design</b><br>logic valve                                     | <b>E</b> <b>construction</b><br>0 = screw-in valve                                 |
| <b>B</b> <b>size and sealing</b><br>16N = Buna (NBR)<br>16V = Viton (FPM) | <b>F</b> <b>crack pressure</b><br>040 = 2.8 bar<br>080 = 5.5 bar<br>160 = 11.0 bar |
| <b>C</b> <b>spool type</b><br>S = release to open<br>base position closed | <b>G</b> <b>function mode</b><br>00 = 210 bar variant<br>AA = 350 bar variant      |
| <b>D</b> <b>adjustment</b><br>F = fixed<br>S = stroke limiter             |  |

## Technical Data:

<b>nominal pressure:</b>	350 bar
<b>nominal flow:</b>	189 l/min
<b>weight:</b>	0.35 kg
<b>temperature range:</b>	-40°C to 120°C
<b>fluids:</b>	hydraulic oil as per DIN 51524 T1 (ISO TC 131)
<b>max. leakage:</b>	1 -> 2 = 5 drops/min at 22 cSt (50°) and 350 bar
<b>seals:</b>	optional Buna (NBR) or Viton (FPM), as well as Teflon wascher (PTFE)
<b>pilot ratio:</b>	2 : 1
<b>cavity:</b>	C-16-3S see datasheet no. <a href="#">IK-200-169-00</a>
<b>housing:</b>	3SLH-16.-B.. see datasheet no. <a href="#">IH-200-000-00</a>
<b>seal kit:</b>	SP-MDS-16N-34S (NBR), SP-MDS-16V-34S (FPM)