

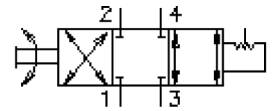
# 4 way, 3 position manual release screw-in valve, with hand knob adjustment

MRV5-16.-D-0

**FAT•N**

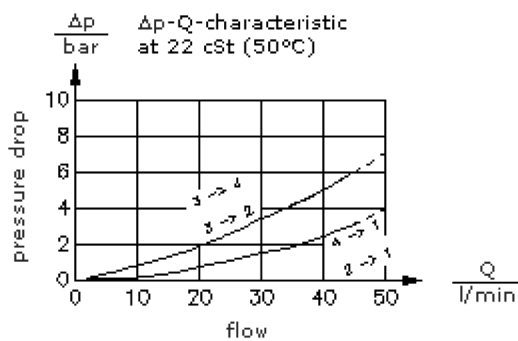
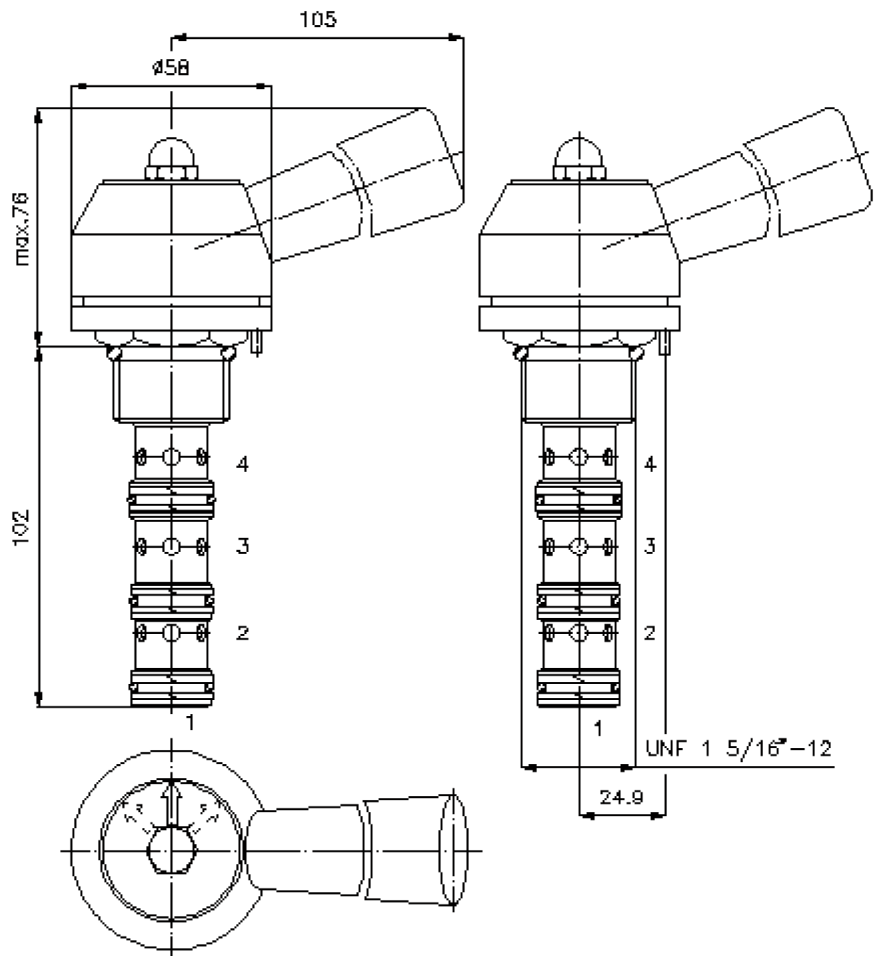
**MD-350-160-00**

(subject to change)



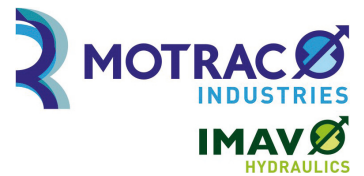
HEX 1 1/2"  
(torque  
cartridge:  
109 - 122 Nm)

cavity:  
C-16-4  
see  
data-sheet no.:  
IK-400-169-00



# 4 way, 3 position manual release screw-in valve, with hand knob adjustment

MRV5-16.-D-0



Motrac Hydraulik GmbH  
Siemensring 87 - D-47877 Willich  
fon +49-(0)2154-8162.0 - fax +49-(0)2154-8162.499  
e-mail info.mhw@motracindustries.com  
internet www.motracindustries.com

**FAT•N**

**MD-350-160-00**

(subject to change)

## Ordering example:

MRV5 - 16N - D - 0  
|        |        |        |  
**A**    **B**    **C**    **D**

## Model code:

- |   |   |
|---|---|
| <b>A</b> <b>design</b><br>manual pull valve                               | <b>C</b> <b>adjustment</b><br>D = lever, 3 position, detent |
| <b>B</b> <b>size and sealing</b><br>16N = Buna (NBR)<br>16V = Viton (FPM) | <b>D</b> <b>construction</b><br>0 = screw-in valve          |

## Technical Data:

<b>note:</b>	Bore dimension for locating pin: d 3.5 x 5
<b>nominal pressure:</b>	210 bar
<b>nominal flow:</b>	45 l/min
<b>weight:</b>	0.65 kg
<b>temperature range:</b>	-40°C to 120°C
<b>fluids:</b>	hydraulic oil as per DIN 51524 T1 (ISO TC 131)
<b>max. leakage:</b>	165 ccm/min at 22 cSt (50°C) and 210 bar
<b>seals:</b>	optional Buna (NBR) or Viton (FPM), as well as Teflon wascher (PTFE)
<b>cavity:</b>	C-16-4 see datasheet no. <a href="#">IK-400-169-00</a>
<b>housing:</b>	4LH-16.-B.. see datasheet no. <a href="#">IH-400-000-00</a>
<b>seal kit:</b>	SP-MDS-16N-46 (NBR), SP-MDS-16V-46 (FPM)