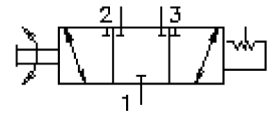


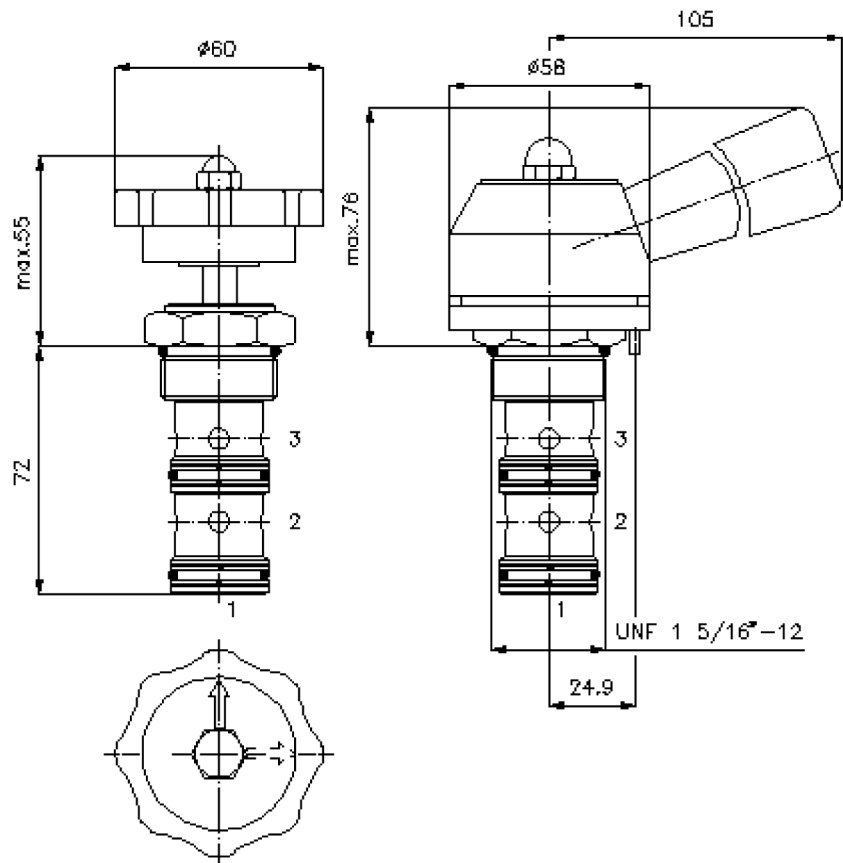
3 way, 2 position manual release screw-in valve, with hand knob adjustment

MRV3-16.-D-0

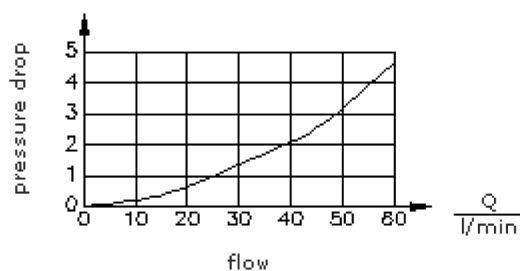


HEX 1 1/2"
(torque
cartridge:
109 - 122 Nm)

cavity:
C-16-3
see
data-sheet no.:
[IK-300-169-00](#)



$\frac{\Delta p}{\text{bar}}$ Δp -Q-characteristic
at 22 cSt (50°C)



3 way, 2 position manual release screw-in valve, with hand knob adjustment

MRV3-16.-D-0

FAT•N



Motrac Hydraulik GmbH
Siemensring 87 - D-47877 Willich
fon +49-(0)2154-8162.0 - fax +49-(0)2154-8162.499
e-mail info.miw@motracindustries.com
internet www.motracindustries.com

MD-210-163-00

(subject to change)

Ordering example:

MRV3 - 16N - D - 0
| | | |
A **B** **C** **D**

Model code:

- | | |
|---|---|
| A design
manual pull valve | C adjustment
D = lever, 3 position, detent |
| B size and sealing
16N = Buna (NBR)
16V = Viton (FPM) | D construction
0 = screw-in valve |

Technical Data:

note:	Bore dimension for locating pin: d 3.5 x 5
nominal pressure:	210 bar
nominal flow:	64 l/min
weight:	0.53 kg
temperature range:	-40°C to 120°C
fluids:	hydraulic oil as per DIN 51524 T1 (ISO TC 131)
max. leakage:	165 ccm/min at 22 cSt (50°C) and 210 bar
seals:	optional Buna (NBR) or Viton (FPM), as well as Teflon wascher (PTFE)
cavity:	C-16-3 see datasheet no. IK-300-169-00
housing:	3LH-16.-B.. see datasheet no. IH-300-000-00
seal kit:	SP-MDS-16N-34 (NBR), SP-MDS-16V-34 (FPM)