

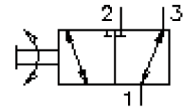
# 3 way, 2 position manual release screw-in valve, with hand-knob adjustment

MRV3-16.-K-0



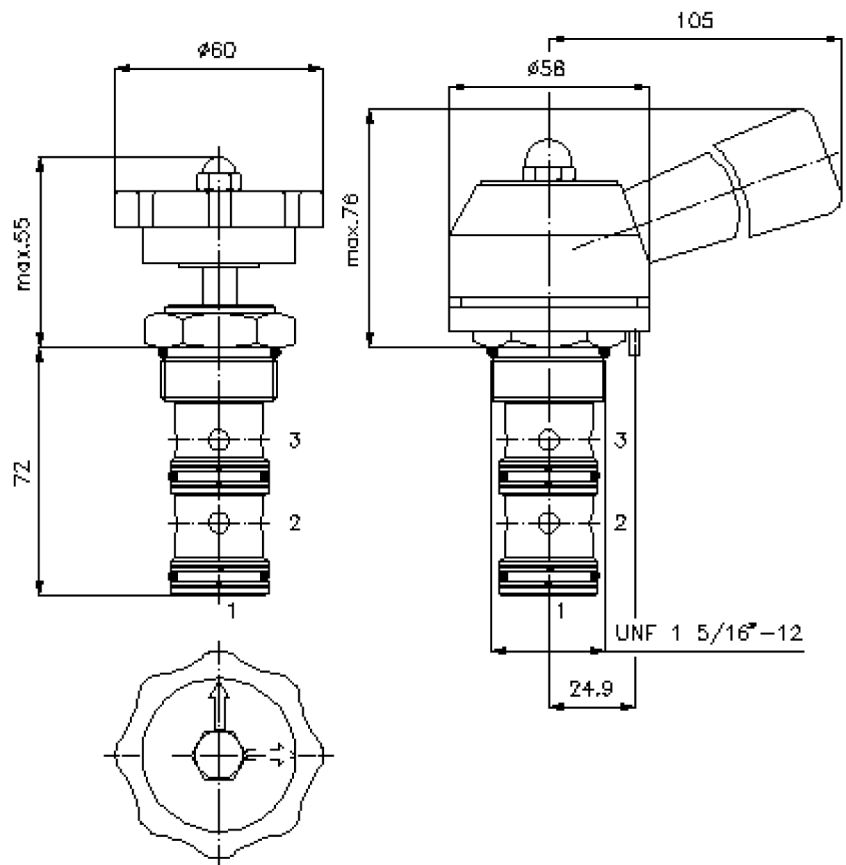
MD-210-160-00

(subject to change)

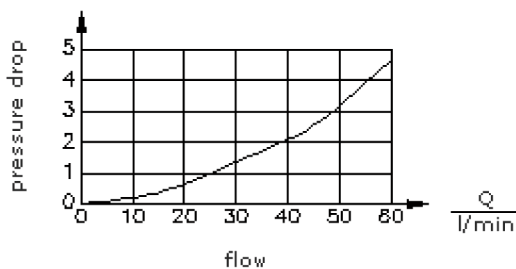


HEX 1 1/2"  
(torque  
cartridge:  
109 - 122 Nm)

cavity:  
C-16-3  
see  
data-sheet no.:  
[IK-300-169-00](#)



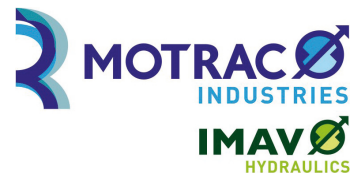
$\frac{\Delta p}{\text{bar}}$   $\Delta p$ -Q-characteristic  
at 22 cSt (50°C)



# 3 way, 2 position manual release screw-in valve, with hand-knob adjustment

MRV3-16.-K-0

**FAT•N**



Motrac Hydraulik GmbH  
Siemensring 87 - D-47877 Willich  
fon +49-(0)2154-8162.0 - fax +49-(0)2154-8162.499  
e-mail info.miw@motracindustries.com  
internet www.motracindustries.com

**MD-210-160-00**

(subject to change)

## Ordering example:

MRV3 - 16N - K - 0  
|        |        |        |  
**A**    **B**    **C**    **D**

## Model code:

- |   |  |
|---|--|
| <b>A</b> <b>design</b><br>manual pull valve                               | <b>C</b> <b>adjustment</b><br>K = handknob, 2 position |
| <b>B</b> <b>size and sealing</b><br>16N = Buna (NBR)<br>16V = Viton (FPM) | <b>D</b> <b>construction</b><br>0 = screw-in valve     |

## Technical Data:

<b>note:</b>	Bore dimension for locating pin: d 3.5 x 5
<b>nominal pressure:</b>	210 bar
<b>nominal flow:</b>	64 l/min
<b>weight:</b>	0.53 kg
<b>temperature range:</b>	-40°C to 120°C
<b>fluids:</b>	hydraulic oil as per DIN 51524 T1 (ISO TC 131)
<b>max. leakage:</b>	165 ccm/min at 22 cSt (50°C) and 210 bar
<b>seals:</b>	optional Buna (NBR) or Viton (FPM), as well as Teflon wascher (PTFE)
<b>cavity:</b>	C-16-3 see datasheet no. <a href="#">IK-300-169-00</a>
<b>housing:</b>	3LH-16.-B.. see datasheet no. <a href="#">IH-300-000-00</a>
<b>seal kit:</b>	SP-MDS-16N-34 (NBR), SP-MDS-16V-34 (FPM)