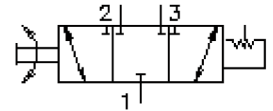


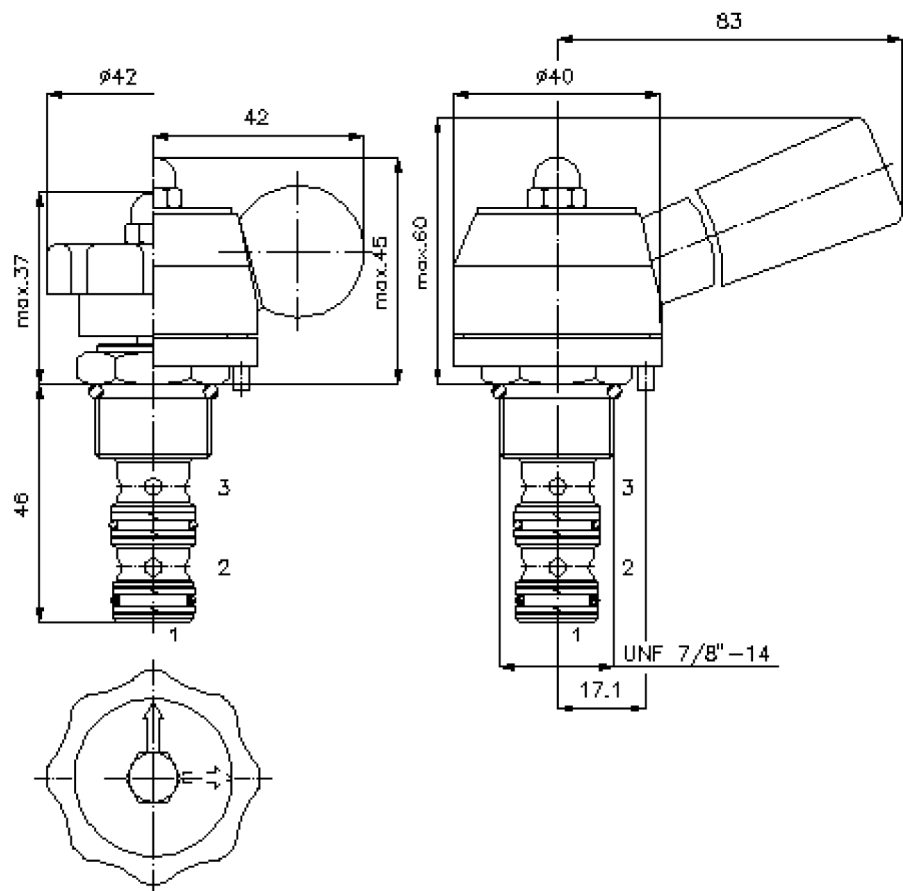
# 3 way, 3 position manual release screw-in valve, with hand knob adjustment

MRV3-10.-D-0

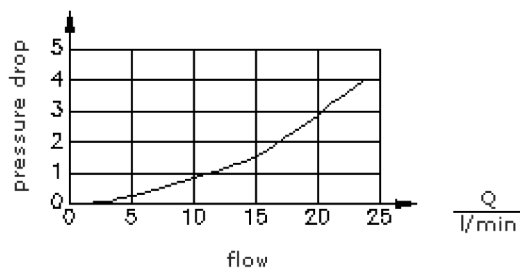


HEX 1"  
(torque  
cartridge:  
48 - 54 Nm)

cavity:  
C-10-3  
see  
data-sheet no.:  
IK-300-109-00



$\frac{\Delta p}{\text{bar}}$   $\Delta p$ -Q-characteristic  
at 22 cSt (50°C)



# 3 way, 3 position manual release screw-in valve, with hand knob adjustment

MRV3-10.-D-0

FAT•N



Motrac Hydraulik GmbH  
Siemensring 87 - D-47877 Willich  
fon +49-(0)2154-8162.0 - fax +49-(0)2154-8162.499  
e-mail info.miw@motracindustries.com  
internet www.motracindustries.com

MD-210-103-00

(subject to change)

## Ordering example:

MRV3 - 10N - D - 0  
|        |        |        |  
**A**    **B**    **C**    **D**

## Model code:

- |  |  |
|--|--|
| <b>A</b> design<br>manual pull valve                               | <b>C</b> adjustment<br>D = lever, 3 position, detent<br>E = ball, 3 position, detent |
| <b>B</b> size and sealing<br>10N = Buna (NBR)<br>10V = Viton (FPM) | <b>D</b> construction<br>0 = screw-in valve  |

## Technical Data:

<b>note:</b>	Bore dimension for locating pin: d 3.5 x 5
<b>nominal pressure:</b>	210 bar
<b>nominal flow:</b>	23 l/min
<b>weight:</b>	
<b>temperature range:</b>	-40°C to 120°C
<b>fluids:</b>	hydraulic oil as per DIN 51524 T1 (ISO TC 131)
<b>max. leakage:</b>	165 ccm/min at 22 cSt (50°C) and 210 bar
<b>seals:</b>	optional Buna (NBR) or Viton (FPM), as well as Teflon wascher (PTFE)
<b>cavity:</b>	C-10-3 see datasheet no. <a href="#">IK-300-109-00</a>
<b>housing:</b>	3LH-10.-B.. see datasheet no. <a href="#">IH-300-000-00</a>
<b>seal kit:</b>	SP-MDS-10N-34 (NBR), SP-MDS-10V-34 (FPM)