

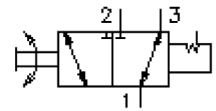
3 way, 2 position manual release screw-in valve, with hand knob adjustment

MRV3-10.-D2-0



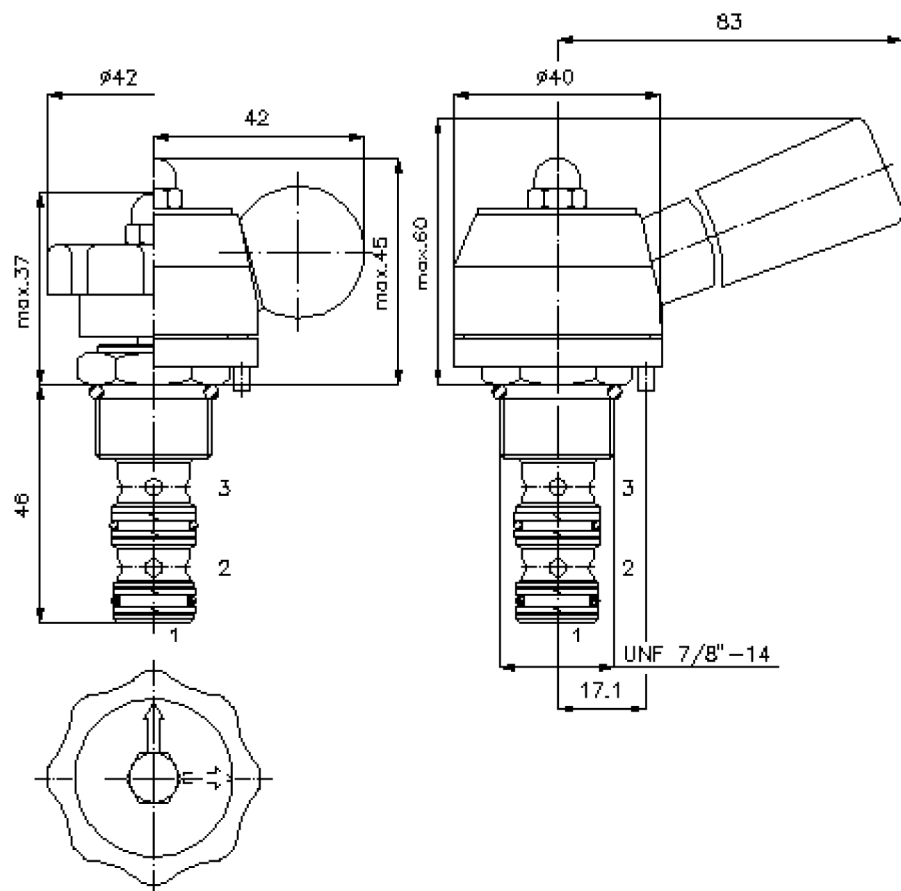
MD-210-102-00

(subject to change)

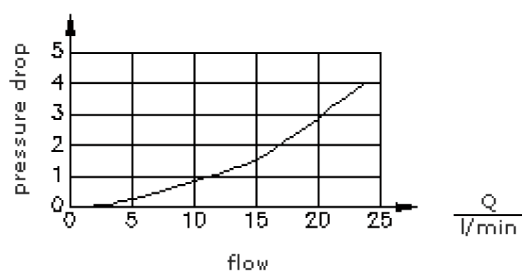


HEX 1"
(torque
cartridge:
48 - 54 Nm)

cavity:
C-10-3
see
data-sheet no.:
IK-300-109-00



$\frac{\Delta p}{\text{bar}}$ Δp -Q-characteristic
at 22 cSt (50°C)



3 way, 2 position manual release screw-in valve, with hand knob adjustment

MRV3-10.-D2-0

FAT•N



Motrac Hydraulik GmbH
Siemensring 87 - D-47877 Willich
fon +49-(0)2154-8162.0 - fax +49-(0)2154-8162.499
e-mail info.miw@motracindustries.com
internet www.motracindustries.com

MD-210-102-00

(subject to change)

Ordering example:

MRV3 - 10N - D2 - 0
| | | |
A **B** **C** **D**

Model code:

- | | |
|---|--|
| A design
manual pull valve | C adjustment
D2 = lever, 2 position, detent
E = ball, 2 position, detent |
| B size and sealing
10N = Buna (NBR)
10V = Viton (FPM) | D construction
0 = screw-in valve |

Technical Data:

note:	Bore dimension for locating pin: d 3.5 x 5
nominal pressure:	210 bar
nominal flow:	23 l/min
weight:	0.22 kg
temperature range:	-40°C to 120°C
fluids:	hydraulic oil as per DIN 51524 T1 (ISO TC 131)
max. leakage:	165 ccm/min at 22 cSt (50°C) and 210 bar
seals:	optional Buna (NBR) or Viton (FPM), as well as Teflon wascher (PTFE)
cavity:	C-10-3 see datasheet no. IK-300-109-00
housing:	3LH-10.-B.. see datasheet no. IH-300-000-00
seal kit:	SP-MDS-10N-34 (NBR), SP-MDS-10V-34 (FPM)