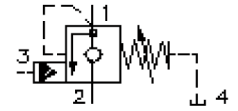


counterbalance valve, screw-in type (vented spring)

VCB1-12.-.-0-.-..

MC-420-121-00

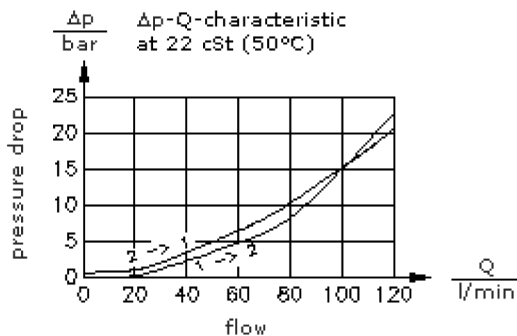
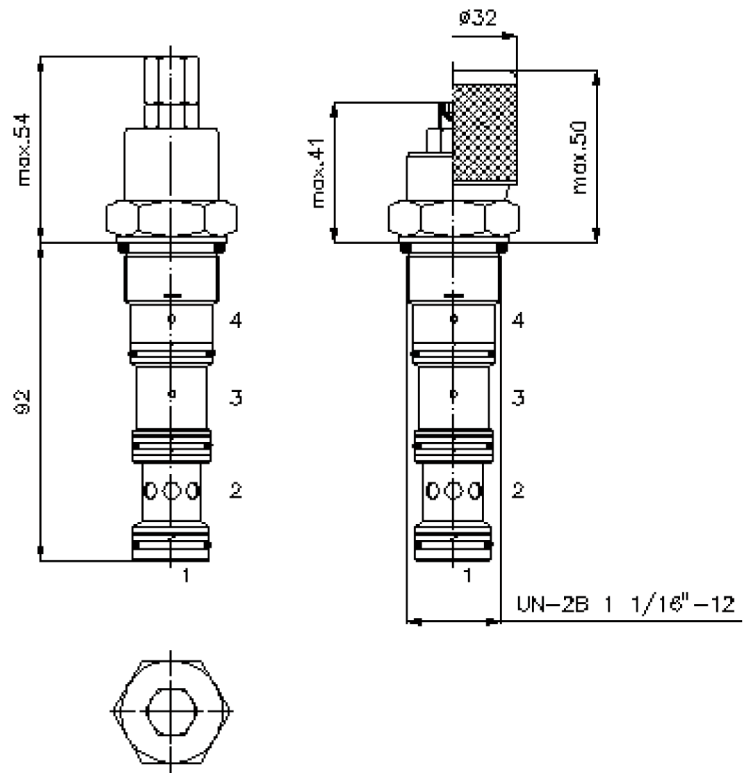
(subject to change)



HEX 1/2"

HEX 1 1/4"
(torque
cartridge:
85 - 94 Nm)

cavity:
C-12-4
see
data-sheet no.:
[IK-400-129-00](#)



counterbalance valve, screw-in type (vented spring)

VCB1-12.-.-0-.-..



Motrac Hydraulik GmbH
Siemensring 87 - D-47877 Willich
fon +49-(0)2154-8162.0 - fax +49-(0)2154-8162.499
e-mail info.miw@motracindustries.com
internet www.motracindustries.com

FAT•N

MC-420-121-00

(subject to change)

Ordering example:

VCB 1 - 12N - C - 0 - A 50
| | | | | |
A **B** **C** **D** **E** **F** **G**

Model code:

- | | |
|---|--|
| A design
counter balance valve | E construction
0 = screw-in valve |
| B pilot ratio
1 = 4 : 1
vented spring | F check valve free flow crack pressure
A = 1.7 bar (standart)
B = 0.30 bar |
| C size and sealing
12N = Buna (NBR)
12V = Viton (FPM) | G pressure range
30 = 25.0 - 210 bar
50 = 175.0 - 350 bar |
| D adjustment
S = screw adjustment
C = cap
K = handknob | |

Technical Data:

- | | |
|---------------------------|---|
| note: | left turn (counter clockwise) = increasing pressure
right turn (clockwise) = reducing pressure |
| nominal pressure: | 350 bar |
| nominal flow: | 114 l/min |
| weight: | 0.37 kg |
| temperature range: | -40°C to 120°C |
| fluids: | hydraulic oil as per DIN 51524 T1 (ISO TC 131) |
| max. leakage: | 5 drops/min at 22 cSt (50°C) and 77% crack pressure |
| seals: | optional Buna (NBR) or Viton (FPM), as well as Teflon wascher (PTFE) |
| cavity: | C-12-4 see datasheet no. IK-400-129-00 Review note! |
| housing: | 4LH-12.-B.. see datasheet no. IH-400-000-00 |
| seal kit: | SP-MDS-12N-44 (NBR), SP-MDS-12V-44 (FPM) |