

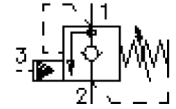
counterbalance valve, screw-in type (adjustable)

CBV.-12.-.-0-.-..

MC-410-121-00

(subject to change)

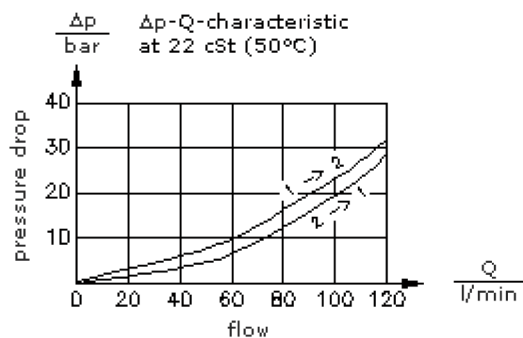
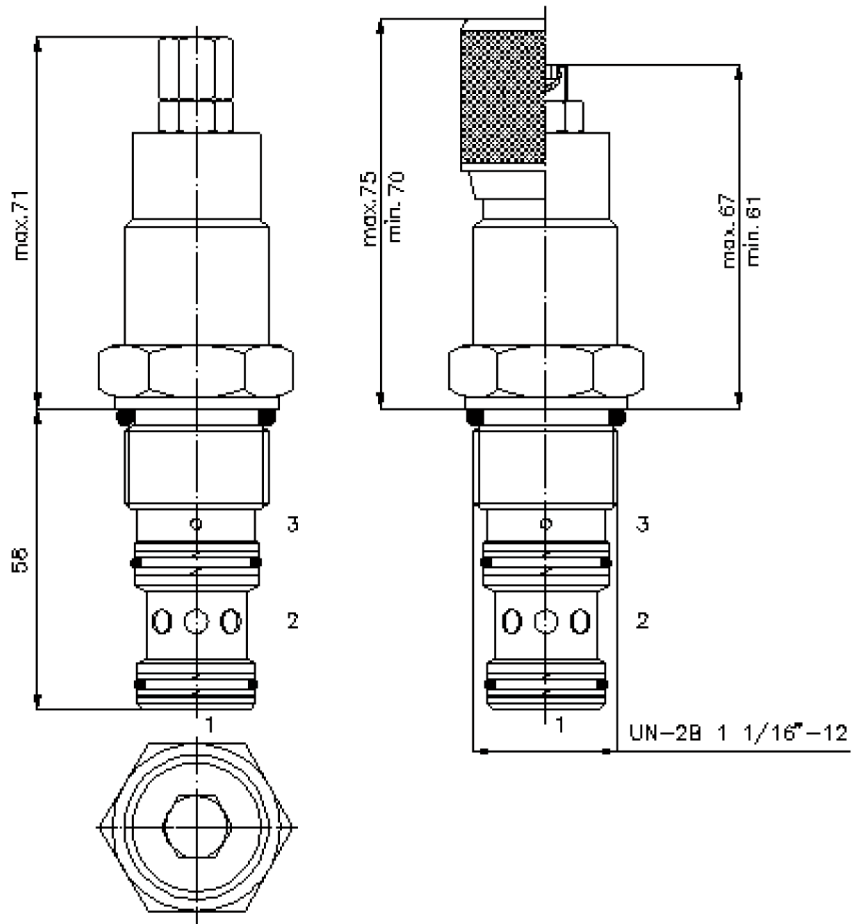
FAT-N



HEX 1/2"

HEX 1 1/4"
(torque
cartridge:
85 - 94 Nm)

cavity:
C-12-3S
see
data-sheet no.:
[IK-200-129-00](#)



counterbalance valve, screw-in type (adjustable)

CBV.-12.-.-0-.-..



Motrac Hydraulik GmbH
Siemensring 87 - D-47877 Willich
fon +49-(0)2154-8162.0 - fax +49-(0)2154-8162.499
e-mail info.miw@motracindustries.com
internet www.motracindustries.com

FAT•N

MC-410-121-00

(subject to change)

Ordering example:

CBV 1 - 12N - C - 0 - A 50
| | | | | |
A **B** **C** **D** **E** **F** **G**

Model code:

A **design**
counter balance valve

B **pilot ratio**
1 = 4 : 1
2 = 10 : 1

C **size and sealing**
12N = Buna (NBR)
12V = Viton (FPM)

D **adjustment**
S = screw adjustment
C = cap
K = handknob

E **construction**
0 = screw-in valve

F **check valve free flow crack pressure**
A = 2.0 bar (standart)
B = 0.30 bar

G **pressure range**
30 = 62.0 - 210 bar
50 = 186.0 - 350 bar

Technical Data:

note:	left turn (counter clockwise) = increasing pressure right turn (clockwise) = reducing pressure
nominal pressure:	350 bar
nominal flow:	114 l/min
weight:	0.36 kg
temperature range:	-40°C to 120°C
fluids:	hydraulic oil as per DIN 51524 T1 (ISO TC 131)
max. leakage:	5 drops/min at 22 cSt (50°C) and 77% crack pressure
seals:	optional Buna (NBR) or Viton (FPM), as well as Teflon wascher (PTFE)
cavity:	C-12-3S see datasheet no. IK-200-129-00
housing:	3SLH-12.-B.. see datasheet no. IH-200-000-00
seal kit:	SP-MDS-12N-34S (NBR), SP-MDS-12V-34S (FPM)