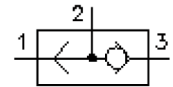


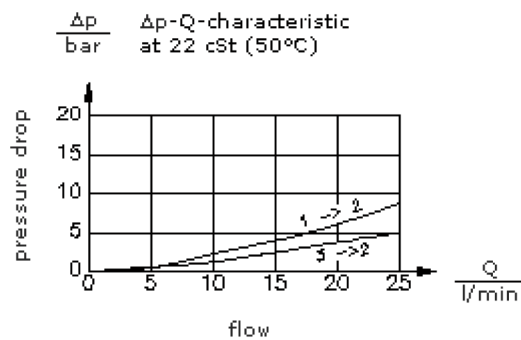
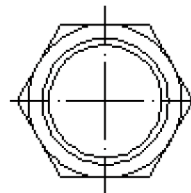
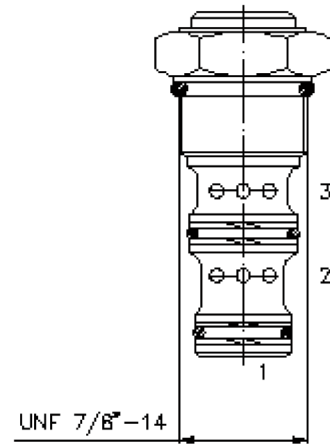
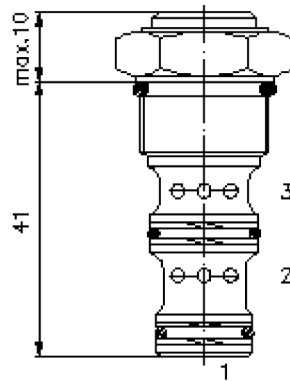
shuttle valve, screw-in type (ball type)

DSV2-08.-B-0



HEX 7/8"
(torque
cartridge:
34 - 40 Nm)

cavity:
C-08-3
see
data-sheet no.:
IK-300-089-00



shuttle valve, screw-in type (ball type)

DSV2-08.-B-0



Motrac Hydraulik GmbH
Siemensring 87 - D-47877 Willich
fon +49-(0)2154-8162.0 - fax +49-(0)2154-8162.499
e-mail info.miw@motracindustries.com
internet www.motracindustries.com

MC-320-081-00

(subject to change)

FAT•N

Ordering example:

DSV2 - 08N - B - 0
| | | |
A **B** **C** **D**

Model code:

A design
shuttle valve

B size and sealing
08N = Buna (NBR)
08V = Viton (FPM)

C function mode
B = ball type

D construction
0 = screw-in valve

Technical Data:

nominal pressure:	240 bar
nominal flow:	23 l/min
weight:	0.06 kg
temperature range:	-40°C to 120°C
fluids:	hydraulic oil as per DIN 51524 T1 (ISO TC 131)
max. leakage:	5 drops/min at 22 cSt (50°C) and 240 bar
seals:	optional Buna (NBR) or Viton (FPM), as well as Teflon wascher (PTFE)
cavity:	C-08-3 see datasheet no. IK-300-089-00
housing:	3LH-08.-B.. see datasheet no. IH-300-000-00
seal kit:	SP-MDS-08N-34 (NBR), SP-MDS-08V-34 (FPM)