

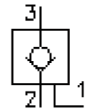
check valve, screw-in type (pilot operated)

SPC2-08.-P-0-...

MC-210-081-00

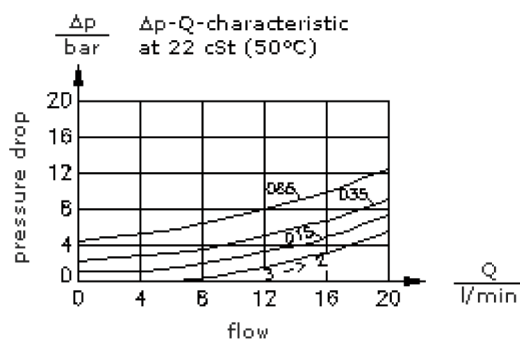
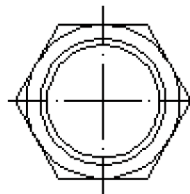
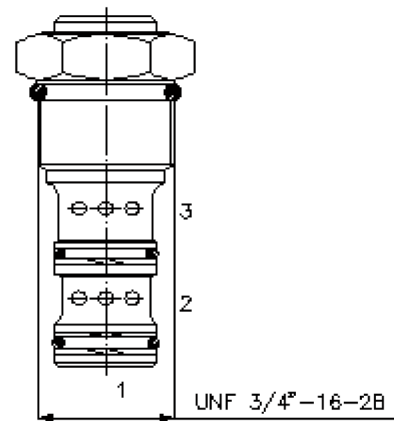
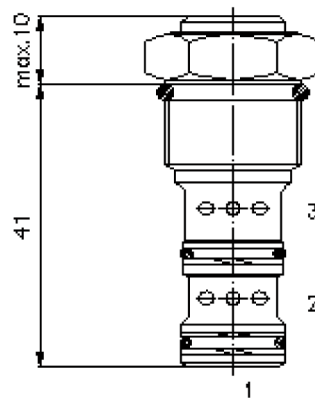
(subject to change)

FAT•N



HEX 7/8"
 (torque
 cartridge:
 34 - 40 Nm)

cavity:
 C-08-3
 see
 data-sheet no.:
 IK-300-089-00



check valve, screw-in type (pilot operated)

SPC2-08.-P-0-...



Motrac Hydraulik GmbH
Siemensring 87 - D-47877 Willich
fon +49-(0)2154-8162.0 - fax +49-(0)2154-8162.499
e-mail info.miw@motracindustries.com
internet www.motracindustries.com

FAT•N

MC-210-081-00

(subject to change)

Ordering example:

SPC2 - 08N - P - 0 - 035
| | | | |
A **B** **C** **D** **E**

Model code:

- | | |
|--|---|
| A design
check valve
pilot operated by hydraulics
pilot ratio 3 : 1 | C function mode
poppet type valve |
| B size and sealing
08N = Buna (NBR)
08V = Viton (FPM) | D construction
0 = screw-in valve |
| | E crack pressure
015 = 1.0 bar
035 = 2.4 bar
065 = 4.5 bar |

Technical Data:

nominal pressure:	240 bar
nominal flow:	19 l/min
weight:	0.07 kg
temperature range:	-40°C to 120°C
fluids:	hydraulic oil as per DIN 51524 T1 (ISO TC 131)
max. leakage:	3->2: 5 drops/min at 22 cSt (50°C) and 240 bar
seals:	optional Buna (NBR) or Viton (FPM), as well as Teflon wascher (PTFE)
cavity:	C-08-3 see datasheet no. IK-300-089-00
housing:	3LH-08.-B.. see datasheet no. IH-300-000-00
seal kit:	SP-MDS-08N-33 (NBR), SP-MDS-08V-33 (FPM)