

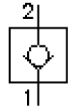
check valve, screw-in type (blocked from 2 to 1)

CV1-16.-P-0-...

MC-140-160-00

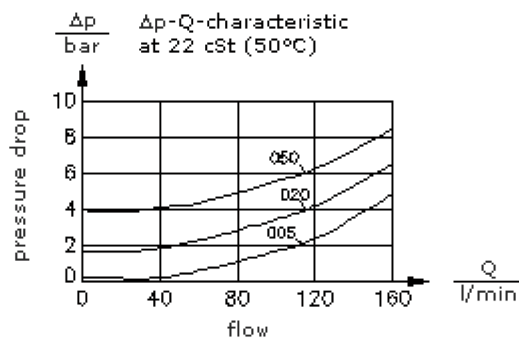
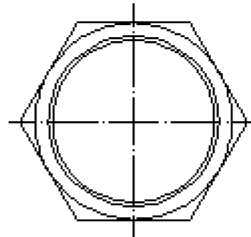
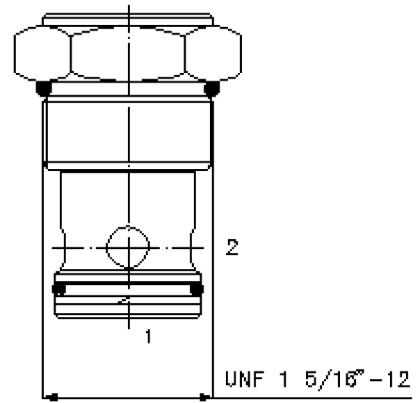
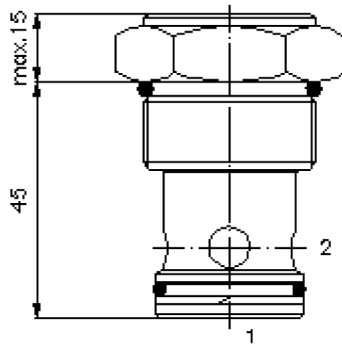
(subject to change)

FAT•N



HEX 1 1/2"
(torque
cartridge:
109 - 122 Nm)

cavity:
C-16-2
see
data-sheet no.:
IK-100-169-00



check valve, screw-in type (blocked from 2 to 1)

CV1-16.-P-0-...

MC-140-160-00

(subject to change)

FAT•N

Ordering example:

CV1 - 16N - P - 0 - 020

A	B	C	D	E

Model code:

- | | |
|--|---|
| <p>A design
check valve
(free flow 1 -> 2)</p> <p>B size and sealing
16N = Buna (NBR)
16V = Viton (FPM)</p> <p>C function mode
poppet type valve</p> <p>D construction
0 = screw-in valve</p> | <p>E crack pressure
005 = 0.3 bar
020 = 1.4 bar
030 = 2.1 bar
040 = 2.8 bar
050 = 3.4 bar
100 = 6.9 bar</p> |
|--|---|

Technical Data:

nominal pressure:	210 bar
nominal flow:	151 l/min
weight:	0.26 kg
temperature range:	-40°C to 120°C
fluids:	hydraulic oil as per DIN 51524 T1 (ISO TC 131)
max. leakage:	2->1 = 5 drops/min at 22 cSt (50°C) and 210 bar
seals:	optional Buna (NBR) or Viton (FPM), as well as Teflon wascher (PTFE)
cavity:	C-16-2 see datasheet no. IK-100-169-00
housing:	2LH-16.-B.. see datasheet no. IH-100-000-00
seal kit:	SP-MDS-16N-21 (NBR), SP-MDS-16V-21 (FPM)