

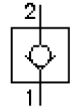
# check valve, screw-in type (blocked from 2 to 1)

CV11-12.-P-0-...

**MC-140-121-00**

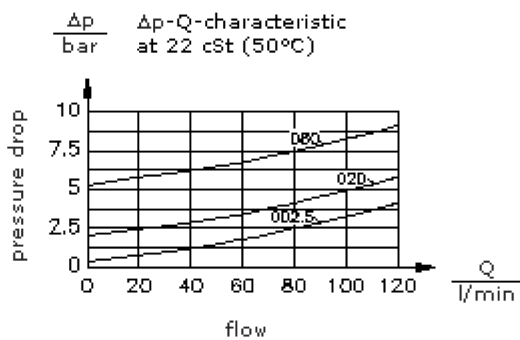
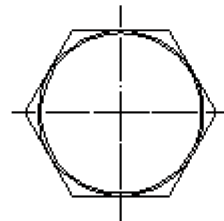
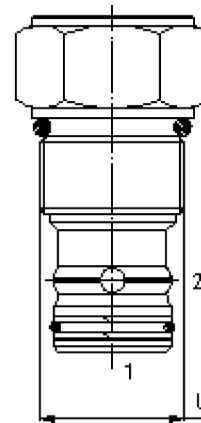
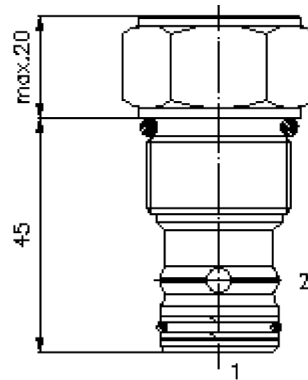
(subject to change)

**FAT•N**



HEX 1 1/4"  
(torque  
cartridge:  
85 - 94 Nm)

cavity:  
C-12-2  
see  
data-sheet no.:  
IK-100-129-00



# check valve, screw-in type (blocked from 2 to 1)

CV11-12.-P-0-...

MC-140-121-00

(subject to change)

FAT•N

## Ordering example:

CV11 - 12N - P - 0 - 020  
|        |        |        |        |  
**A**    **B**    **C**    **D**    **E**

## Model code:

- |   |   |
|---|---|
| <b>A</b> <b>design</b><br>check valve<br>(free flow 1 -> 2)               | <b>E</b> <b>crack pressure</b><br>002.5 = 0.17 bar<br>005 = 0.3 bar<br>010 = 0.7 bar<br>020 = 1.4 bar<br>040 = 2.8 bar<br>080 = 5.5 bar<br>160 = 11.0 bar |
| <b>B</b> <b>size and sealing</b><br>12N = Buna (NBR)<br>12V = Viton (FPM) |   |
| <b>C</b> <b>function mode</b><br>poppet type valve                        |   |
| <b>D</b> <b>construction</b><br>0 = screw-in valve                        |   |

## Technical Data:

<b>nominal pressure:</b>	350 bar
<b>nominal flow:</b>	114 l/min
<b>weight:</b>	0.24 kg
<b>temperature range:</b>	-40°C to 120°C
<b>fluids:</b>	hydraulic oil as per DIN 51524 T1 (ISO TC 131)
<b>max. leakage:</b>	2->1: 5 drops/min at 22 cSt (50°C) and 350 bar
<b>seals:</b>	optional Buna (NBR) or Viton (FPM), as well as Teflon wascher (PTFE)
<b>cavity:</b>	C-12-2 see datasheet no. <a href="#">IK-100-129-00</a>
<b>housing:</b>	2LH-12.-B.. see datasheet no. <a href="#">IH-100-000-00</a>
<b>seal kit:</b>	SP-MDS-12N-22 (NBR), SP-MDS-12V-22 (FPM)