

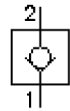
# check valve, screw-in type (blocked from 2 to 1)

CV3-10.-P-0-...

MC-130-100-00

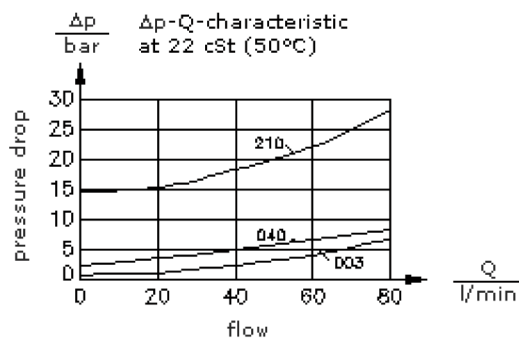
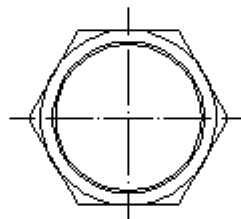
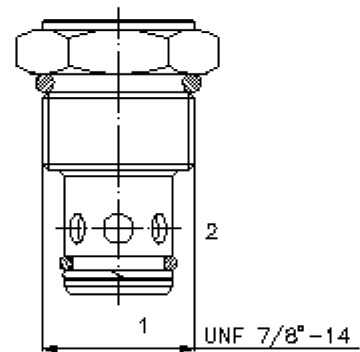
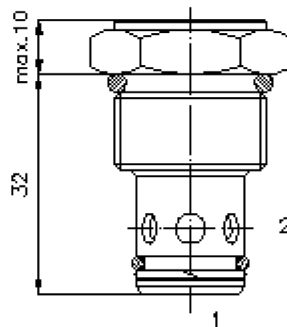
(subject to change)

FAT•N



HEX 1"  
(torque  
cartridge:  
48 - 54 Nm)

cavity:  
C-10-2  
see  
data-sheet no.:  
[IK-100-109-00](#)



# check valve, screw-in type (blocked from 2 to 1)

CV3-10.-P-0-...

MC-130-100-00

(subject to change)

**FAT•N**

## Ordering example:

CV3 - 10N - P - 0 - 020  
|     |     |     |     |  
**A**   **B**   **C**   **D**   **E**

## Model code:

- |   |   |
|---|---|
| <b>A</b> <b>design</b><br>check valve<br>(free flow 1 -> 2)               | <b>E</b> <b>crack pressure</b><br>003 = 0.2 bar<br>010 = 0.7 bar<br>020 = 1.4 bar<br>035 = 2.4 bar<br>040 = 2.8 bar<br>065 = 4.5 bar<br>100 = 6.9 bar<br>180 = 12.4 bar<br>210 = 14.5 bar |
| <b>B</b> <b>size and sealing</b><br>10N = Buna (NBR)<br>10V = Viton (FPM) |   |
| <b>C</b> <b>function mode</b><br>poppet type valve                        |   |
| <b>D</b> <b>construction</b><br>0 = screw-in valve                        |   |

## Technical Data:

<b>nominal pressure:</b>	210 bar
<b>nominal flow:</b>	76 l/min
<b>weight:</b>	0.08 kg
<b>temperature range:</b>	-40°C to 120°C
<b>fluids:</b>	hydraulic oil as per DIN 51524 T1 (ISO TC 131)
<b>max. leakage:</b>	2->1 = 5 drops/min at 22 cSt (50°C) and 210 bar
<b>seals:</b>	optional Buna (NBR) or Viton (FPM), as well as Teflon wascher (PTFE)
<b>cavity:</b>	C-10-2 see datasheet no. <a href="#">IK-100-109-00</a>
<b>housing:</b>	2LH-10.-B.. see datasheet no. <a href="#">IH-100-000-00</a>
<b>seal kit:</b>	SP-MDS-10N-21 (NBR), SP-MDS-10V-21 (FPM)