

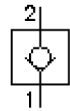
check valve, screw-in type (blocked from 2 to 1)

CV3-08.-P-0-...

MC-110-081-00

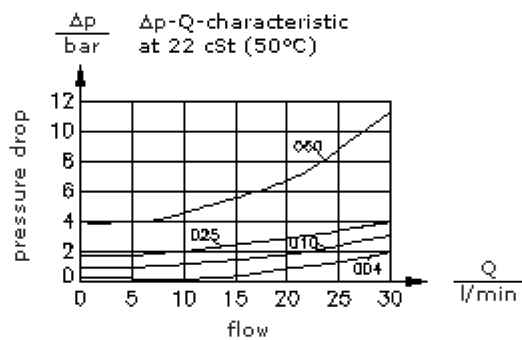
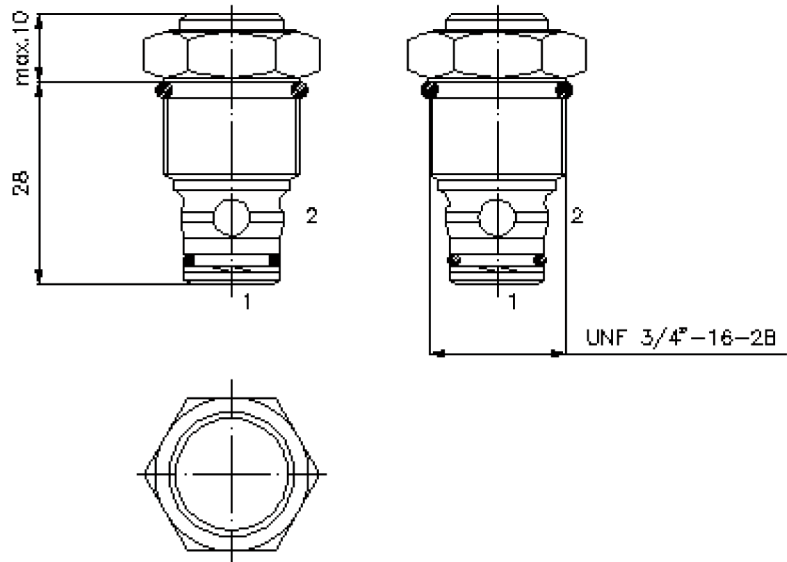
(subject to change)

FAT•N



HEX 7/8"
(torque
cartridge:
34 - 40 Nm)

cavity:
C-08-2
see
data-sheet no.:
IK-100-089-00



check valve, screw-in type (blocked from 2 to 1)

CV3-08.-P-0-...

MC-110-081-00

(subject to change)

FAT•N

Ordering example:

CV3 - 08N - P - 0 - 010
| | | | |
A **B** **C** **D** **E**

Model code:

- | | |
|---|--|
| A design
check valve
(free flow 1 -> 2) | E crack pressure
004 = 0.3 bar
010 = 0.7 bar
015 = 1.0 bar
025 = 1.7 bar
030 = 2.1 bar
060 = 4.1 bar |
| B size and sealing
08N = Buna (NBR)
08V = Viton (FPM) | |
| C function mode
poppet type valve | |
| D construction
0 = screw-in valve | |

Technical Data:

nominal pressure:	350 bar
nominal flow:	30 l/min
weight:	0.05 kg
temperature range:	-40°C to 120°C
fluids:	hydraulic oil as per DIN 51524 T1 (ISO TC 131)
max. leakage:	5 drops/min at 22 cSt (50°C) and 350 bar
seals:	optional Buna (NBR) or Viton (FPM), as well as Teflon wascher (PTFE)
cavity:	C-08-2 see datasheet no.: IK-100-089-00
housing:	2LH-08.-B.. see datasheet no.: IH-100-000-00
seal kit:	SP-MDS-08N-21 (NBR), SP-MDS-08V-21 (FPM)