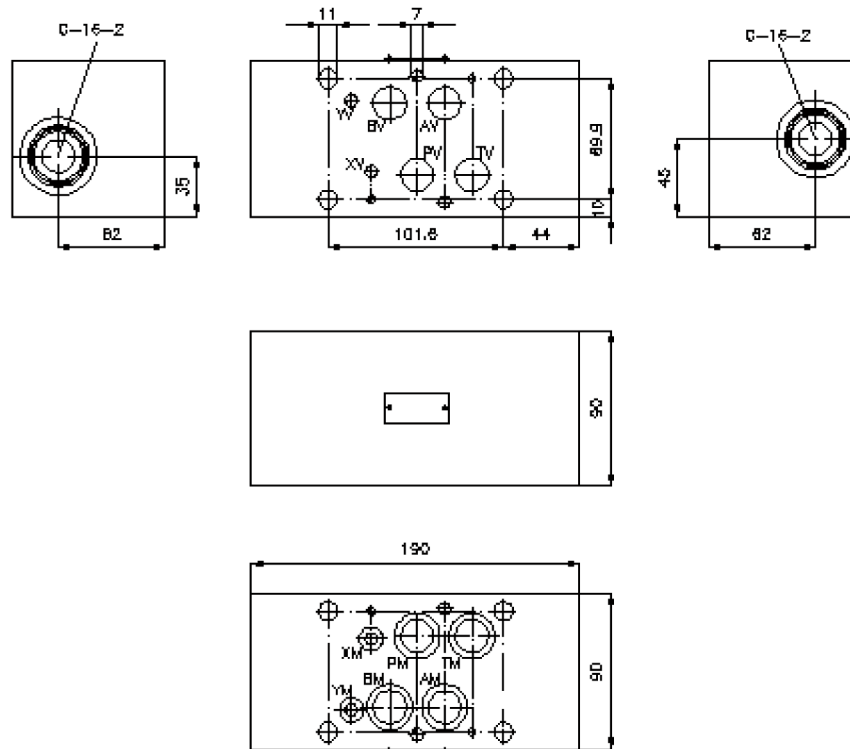
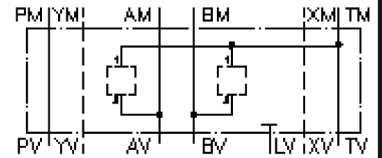


# multiple valve body, CETOP 7 (from A2 to T1 and B2 to T1)

MGZ-16.-A2/T1/16+B2/T1/16-09

**IZ-950-500-00**

(subject to change)



# multiple valve body, CETOP 7 (from A2 to T1 and B2 to T1)

MGZ-16.-A2/T1/16+B2/T1/16-09



Motrac Hydraulik GmbH  
Siemensring 87 - D-47877 Willich  
fon +49-(0)2154-8162.0 - fax +49-(0)2154-8162.499  
e-mail info.miw@motracindustries.com  
internet www.motracindustries.com

IZ-950-500-00

(subject to change)

## Ordering example:

MGZ - 16A - A2/T1 / 16 + B2/T1 / 16 - 09  
|        |        |        |        |        |        |  
**A**    **B**    **C**    **D**    **E**    **F**    **G**

## Model code:

- |   |  |
|---|--|
| <b>A</b> <b>design</b><br>multipurpose valve body<br>with mounting interface DIN 24340 form A<br>sandwichplate design | <b>C</b> <b>function mode</b><br>A2/T1 = for one screw-in valve between A<br>and T |
| <b>B</b> <b>size and material</b><br>16A = aluminum (F37)<br>16S = steel (9SMnPb28K resp. GGG-40)                     | <b>D</b> <b>size of cavity</b><br>size 16  |
|   | <b>E</b> <b>function mode</b><br>B2/T1 = for one screw-in valve between B<br>and T |
|   | <b>F</b> <b>size of cavity</b><br>size 16  |
|   | <b>G</b> <b>height</b><br>09 = 90 mm   |

## Technical Data:

- nominal pressure:** 350 bar (S)  
250 bar (A)
- weight:** 4.4 / 10.9 kg (A/S)
- cavity:** C-16-2 see datasheet no. [IK-100-169-00](#)
- included:** 4 pcs. O-ring 22.22 x 2.62  
2 pcs. O-ring 9.19 x 2.62