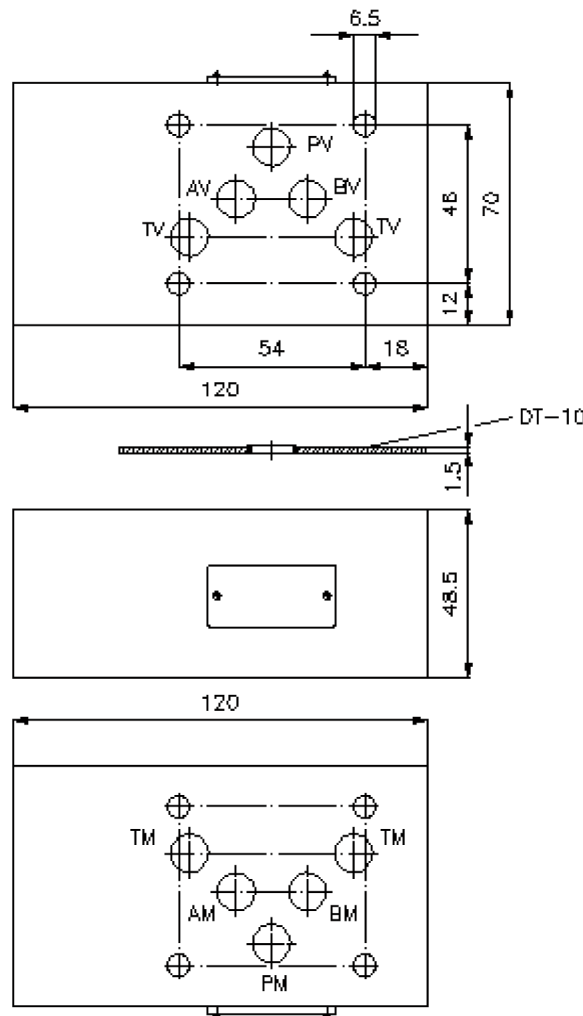
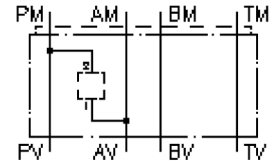


# multiple valve body, CETOP 5 (from A1 to P2)

MGZ-10.-A1/P2/10-05

IZ-940-107-00

(subject to change)



# multiple valve body, CETOP 5 (from A1 to P2)

MGZ-10.-A1/P2/10-05



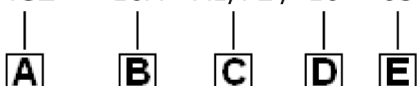
Motrac Hydraulik GmbH  
Siemensring 87 - D-47877 Willich  
fon +49-(0)2154-8162.0 - fax +49-(0)2154-8162.499  
e-mail info.miw@motracindustries.com  
internet www.motracindustries.com

IZ-940-107-00

(subject to change)

## Ordering example:

MGZ - 10A - A1/P2 / 10 - 05



## Model code:

- |                                                                                                                       |                                                                                    |
|-----------------------------------------------------------------------------------------------------------------------|------------------------------------------------------------------------------------|
| <b>A</b> <b>design</b><br>multipurpose valve body<br>with mounting interface DIN 24340 form A<br>sandwichplate design | <b>C</b> <b>function mode</b><br>A1/P2 = for one screw-in valve between A<br>and P |
| <b>B</b> <b>size and material</b><br>10A = aluminum (F37)<br>10S = steel (9SMnPb28K resp. GGG-40)                     | <b>D</b> <b>size of cavity</b><br>size 10                                          |
|                                                                                                                       | <b>E</b> <b>height</b><br>05 = 50 mm                                               |

## Technical Data:

### note:

Concerning the flow direction (return and supply) it is important to review the mounting position (port "1" and "2"). Rotating around the lateral axis of the variant TT+TT and AA+BB the flow direction of the multipurpose valve body CETOP 5 will change from 1 to 2 and from 2 to 1 (see symbol). For variant AA and BB rotating around the lateral axis not only the flow direction will change as above mentioned. As well the channel will change: e.g. A will change to B and B to A.

### nominal pressure:

350 bar (S)  
250 bar (A)

### weight:

1.1 / 3.3 kg (A/S)

### cavity:

C-10-2 see datasheet no. [IK-100-109-00](#)

### included:

DT-10 = sealing plate with vulcanized O-ring (Viton FPM)