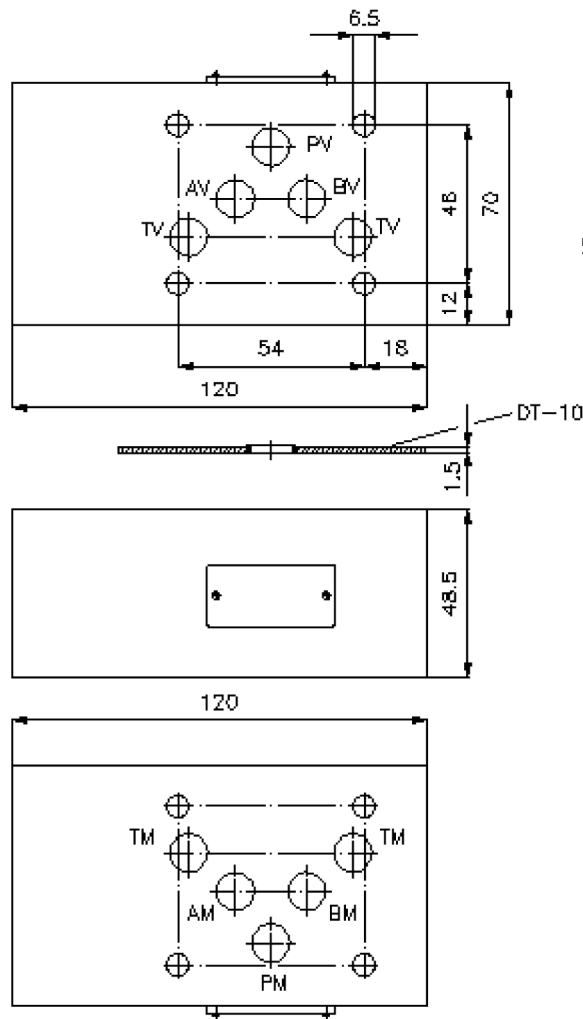
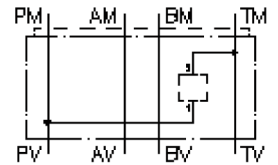


multiple valve body, CETOP 5 (from P1 to T2)

MGZ-10.-P1/T2/10-05

IZ-940-105-00

(subject to change)



multiple valve body, CETOP 5 (from P1 to T2)

MGZ-10.-P1/T2/10-05



Motrac Hydraulik GmbH
Siemensring 87 - D-47877 Willich
fon +49-(0)2154-8162.0 - fax +49-(0)2154-8162.499
e-mail info.miw@motracindustries.com
internet www.motracindustries.com

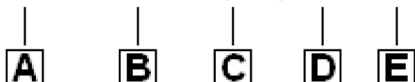
IZ-940-105-00

(subject to change)



Ordering example:

MGZ - 10A - P1/T2 / 10 - 05



Model code:

- | | |
|---|--|
| A design multipurpose valve body with mounting interface DIN 24340 form A sandwichplate design | C function mode P1/T2 = for one screw-in valve between P and T |
| B size and material 10A = aluminum (F37) 10S = steel (9SMnPb28K resp. GGG-40) | D size of cavity size 10 |
| | E height 05 = 50 mm |

Technical Data:

note:

Concerning the flow direction (return and supply) it is important to review the mounting position (port "1" and "2"). Rotating around the lateral axis of the variant TT+TT and AA+BB the flow direction of the multipurpose valve body CETOP 5 will change from 1 to 2 and from 2 to 1 (see symbol). For variant AA and BB rotating around the lateral axis not only the flow direction will change as above mentioned. As well the channel will change: e.g. A will change to B and B to A.

nominal pressure:

350 bar (S)
250 bar (A)

weight:

1.1 / 3.3 kg (A/S)

cavity:

C-10-2 see datasheet no. [IK-100-109-00](#)

included:

DT-10 = sealing plate with vulcanized O-ring (Viton FPM)