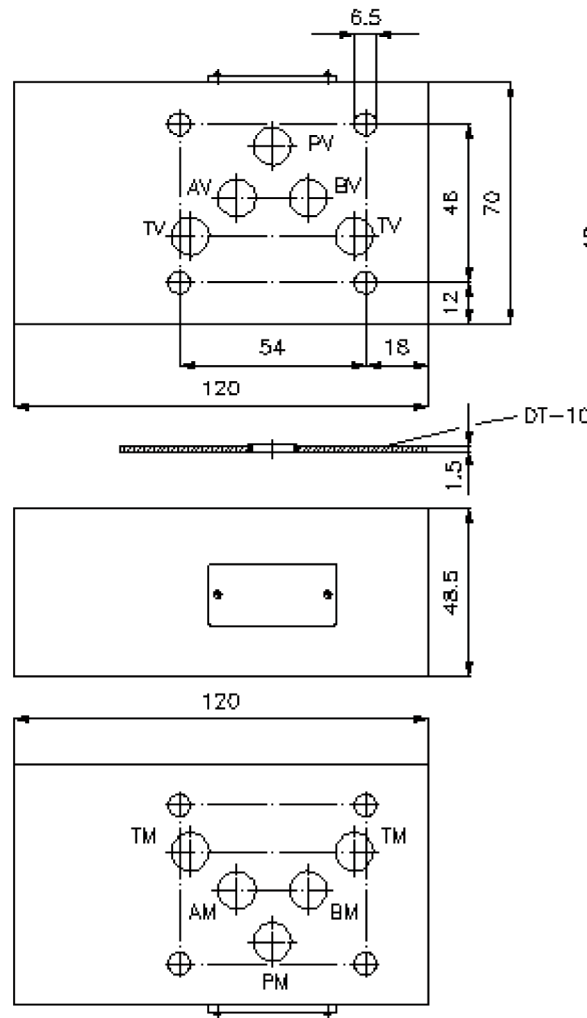
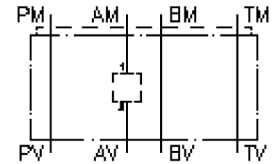


multiple valve body, CETOP 5 (from A to A) MGZ-10.-AA/10-05

IZ-940-103-00

(subject to change)



multiple valve body, CETOP 5 (from A to A) MGZ-10.-AA/10-05



Motrac Hydraulik GmbH
Siemensring 87 - D-47877 Willich
fon +49-(0)2154-8162.0 - fax +49-(0)2154-8162.499
e-mail info.miw@motracindustries.com
internet www.motracindustries.com

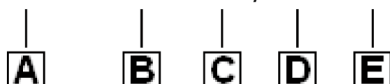
IZ-940-103-00

(subject to change)



Ordering example:

MGZ - 10A - AA / 10 - 05



Model code:

- | | |
|---|---|
| A design
multipurpose valve body
with mounting interface DIN 24340 form A
sandwichplate design | C function mode
AA = for one screw-in valve in A |
| B size and material
10A = aluminum (F37)
10S = steel (9SMnPb28K resp. GGG-40) | D size of cavity
size 10 |
| | E height
05 = 50 mm |

Technical Data:

- note:** Concerning the flow direction (return and supply) it is important to review the mounting position (port "1" and "2"). Rotating around the lateral axis of the variant TT+TT and AA+BB the flow direction of the multipurpose valve body CETOP 5 will change from 1 to 2 and from 2 to 1 (see symbol). For variant AA and BB rotating around the lateral axis not only the flow direction will change as above mentioned. As well the channel will change: e.g. A will change to B and B to A.
- nominal pressure:** 350 bar (S)
250 bar (A)
- weight:** 1.1 / 3.3 kg (A/S)
- cavity:** C-10-2 see datasheet no. [IK-100-109-00](#)
- included:** DT-10 = sealing plate with vulcanized O-ring (Viton FPM)