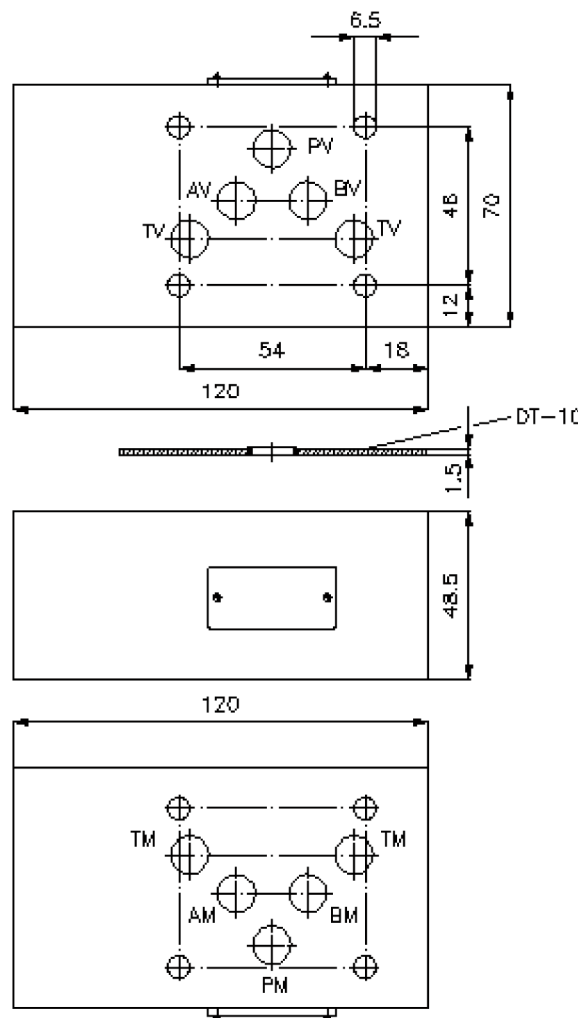
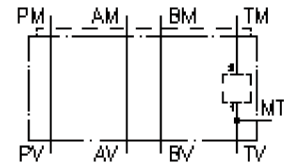


multiple valve body, CETOP 5 (from T to T+MT)

MGZ-10.-TT/10+MT-05

IZ-940-102-00

(subject to change)



multiple valve body, CETOP 5 (from T to T+MT)

MGZ-10.-TT/10+MT-05



Motrac Hydraulik GmbH
Siemensring 87 - D-47877 Willich
fon +49-(0)2154-8162.0 - fax +49-(0)2154-8162.499
e-mail info.miw@motracindustries.com
internet www.motracindustries.com

IZ-940-102-00

(subject to change)

Ordering example:

MGZ - 10A - TT / 10 + MT - 05
| | | | | |
A **B** **C** **D** **E** **F**

Model code:

- | | |
|---|---|
| A design
multipurpose valve body
with mounting interface DIN 24340 form A
sandwichplate design | C function mode
TT = for two screw-in valve in T |
| B size and material
10A = aluminum (F37)
10S = steel (9SMnPb28K resp. GGG-40) | D size of cavity
size 10 |
| | E gauge port
MT = gauge port at the T side |
| | F height
05 = 50 mm |

Technical Data:

note: Concerning the flow direction (return and supply) it is important to review the mounting position (port "1" and "2"). Rotating around the lateral axis of the variant TT+TT and AA+BB the flow direction of the multipurpose valve body CETOP 5 will change from 1 to 2 and from 2 to 1 (see symbol). For variant AA and BB rotating around the lateral axis not only the flow direction will change as above mentioned. As well the channel will change: e.g. A will change to B and B to A.

nominal pressure: 350 bar (S)
250 bar (A)

weight: 1.1 / 3.3 kg (A/S)

cavity: C-10-2 see datasheet no. [IK-100-109-00](#)

included: DT-10 = sealing plate with vulcanized O-ring (Viton FPM)