

linking/crossover plate CETOP 7 (P with T, X with Y connected, A, B and L closed)

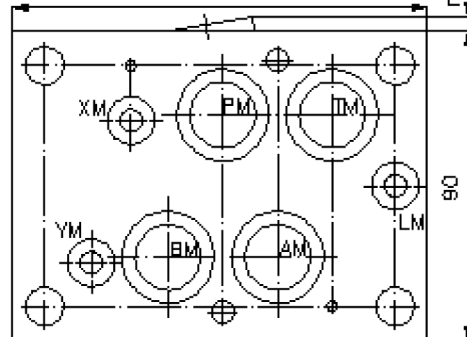
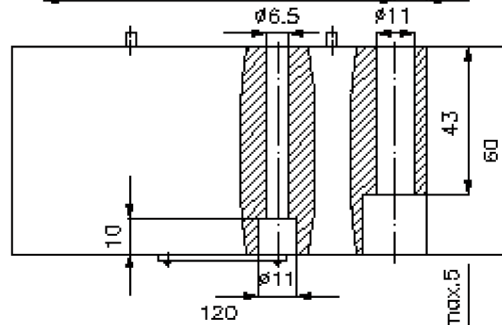
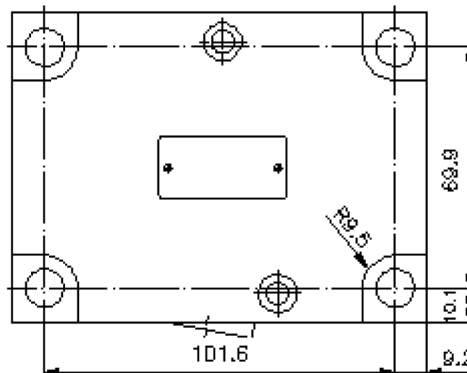
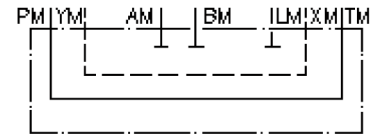
UP-16.-PT+XY



Motrac Hydraulik GmbH
Siemensring 87 - D-47877 Willich
fon +49-(0)2154-8162.0 - fax +49-(0)2154-8162.499
e-mail info.miw@motracindustries.com
internet www.motracindustries.com

IZ-850-502-00

(subject to change)



linking/crossover plate CETOP 7 (P with T, X with Y connected, A, B and L closed)

UP-16.-PT+XY



Motrac Hydraulik GmbH
Siemensring 87 - D-47877 Willich
fon +49-(0)2154-8162.0 - fax +49-(0)2154-8162.499
e-mail info.miw@motracindustries.com
internet www.motracindustries.com

IZ-850-502-00

(subject to change)

Ordering example:

UP - 16A - PT+XY
| | |
A **B** **C**

Model code:

- A design**
turn round plate
with mounting interface DIN 24340 form A
- B size and material**
16A = aluminum (F37)
16S = steel (9SMnPb28K resp. GGG-40)
- C function mode**
PT+XY = P with T and X with Y connected

Technical Data:

- note:** required mounting screws:
2 pcs. M6 x 60 DIN 912
4 pcs. M10 x 60 DIN 912
- nominal pressure:** 250 bar (A)
350 bar (S)
- weight:** 1.8 / 5.5 kg (A/S)