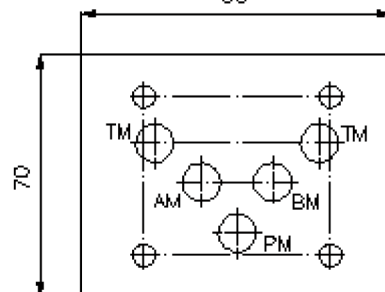
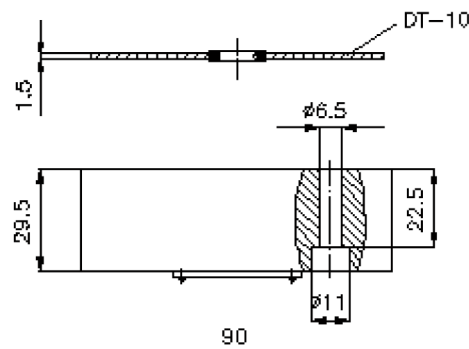
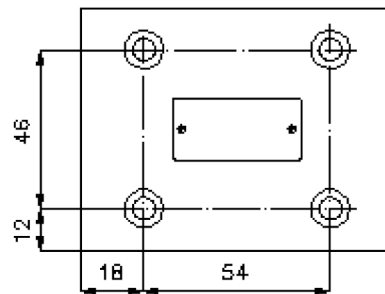
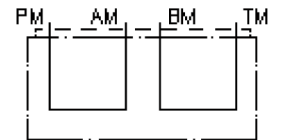


linking/crossover plate CETOP 5 (P with A connected, T with B connected) UP-10.-PA+TB

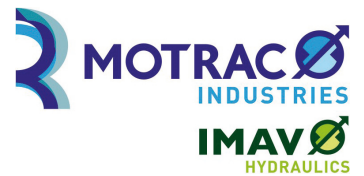
IZ-850-405-00

(subject to change)



linking/crossover plate CETOP 5 (P with A connected, T with B connected)

UP-10.-PA+TB



Motrac Hydraulik GmbH
Siemensring 87 - D-47877 Willich
fon +49-(0)2154-8162.0 - fax +49-(0)2154-8162.499
e-mail info.miw@motracindustries.com
internet www.motracindustries.com

IZ-850-405-00

(subject to change)

Ordering example:

UP - 10A - PA+TB
| | |
A **B** **C**

Model code:

- | | |
|--|--|
| <p>A design
turn round plate
with mounting interface DIN 24340 form A</p> <p>B size and material
10A = aluminum (F37)
10S = steel (9SMnPb28K resp. GGG-40)</p> | <p>C function mode
PA+TB = P with A and T with B connected</p> |
|--|--|

Technical Data:

- | | |
|--------------------------|--|
| note: | required mounting screws:
4 pcs. M6 x 30 DIN 912 |
| nominal pressure: | 250 bar (A)
350 bar (S) |
| weight: | 0.5 / 1.5 kg (A/S) |
| included: | DT-10 = sealing plate with vulcanized O-ring (Viton FPM) |