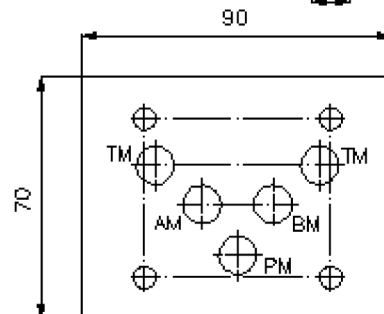
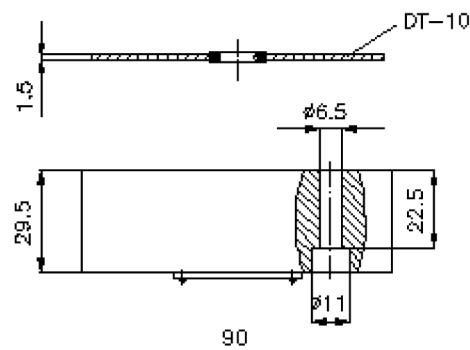
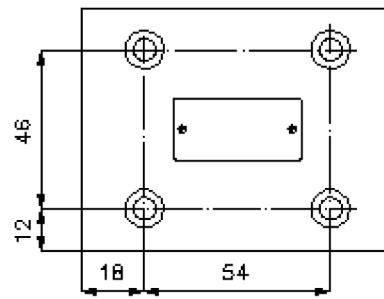
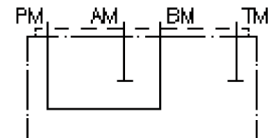
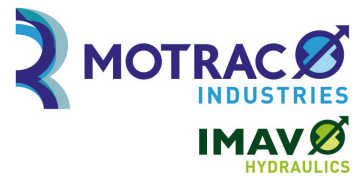


# linking/crossover plate CETOP 5 (P with B connected, A and T closed) UP-10.-PB



# linking/crossover plate CETOP 5 (P with B connected, A and T closed)

UP-10.-PB



Motrac Hydraulik GmbH  
Siemensring 87 - D-47877 Willich  
fon +49-(0)2154-8162.0 - fax +49-(0)2154-8162.499  
e-mail info.miw@motracindustries.com  
internet www.motracindustries.com

IZ-850-403-00

(subject to change)

## Ordering example:

UP - 10A - PB  
|        |        |  
**A**    **B**    **C**

## Model code:

- A** **design**  
turn round plate  
with mounting interface DIN 24340 form A
- B** **size and material**  
10A = aluminum (F37)  
10S = steel (9SMnPb28K resp. GGG-40)
- C** **function mode**  
PB = P with B connected

## Technical Data:

- note:** required mounting screws:  
4 pcs. M6 x 30 DIN 912
- nominal pressure:** 250 bar (A)  
350 bar (S)
- weight:** 0.5 / 1.5 kg (A/S)
- included:** DT-10 = sealing plate with vulcanized O-ring (Viton FPM)