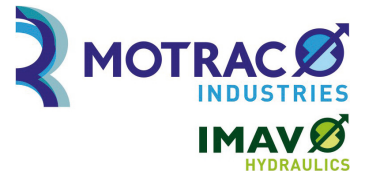


linking/crossover plate CETOP 5 (P with T connected, A and B closed)

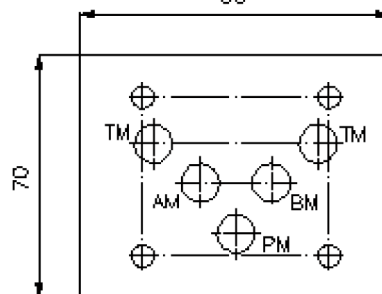
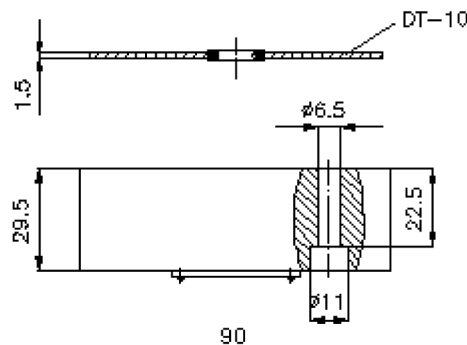
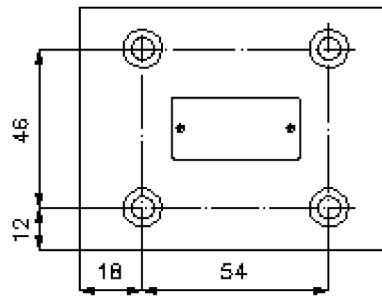
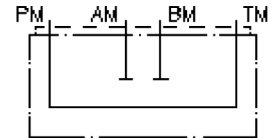
UP-10.-PT



Motrac Hydraulik GmbH
Siemensring 87 - D-47877 Willich
fon +49-(0)2154-8162.0 - fax +49-(0)2154-8162.499
e-mail info.miw@motracindustries.com
internet www.motracindustries.com

IZ-850-401-00

(subject to change)



linking/crossover plate CETOP 5 (P with T connected, A and B closed)

UP-10.-PT



Motrac Hydraulik GmbH
Siemensring 87 - D-47877 Willich
fon +49-(0)2154-8162.0 - fax +49-(0)2154-8162.499
e-mail info.miw@motracindustries.com
internet www.motracindustries.com

IZ-850-401-00

(subject to change)

Ordering example:

UP - 10A - PT
| | |
A **B** **C**

Model code:

A **design**
turn round plate
with mounting interface DIN 24340 form A

B **size and material**
10A = aluminum (F37)
10S = steel (9SMnPb28K resp. GGG-40)

C **function mode**
PT = P with T connected

Technical Data:

note: required mounting screws:
4 pcs. M6 x 30 DIN 912

nominal pressure: 250 bar (A)
350 bar (S)

weight: 0.5 / 1.5 kg (A/S)

included: DT-10 = sealing plate with vulcanized O-ring (Viton FPM)