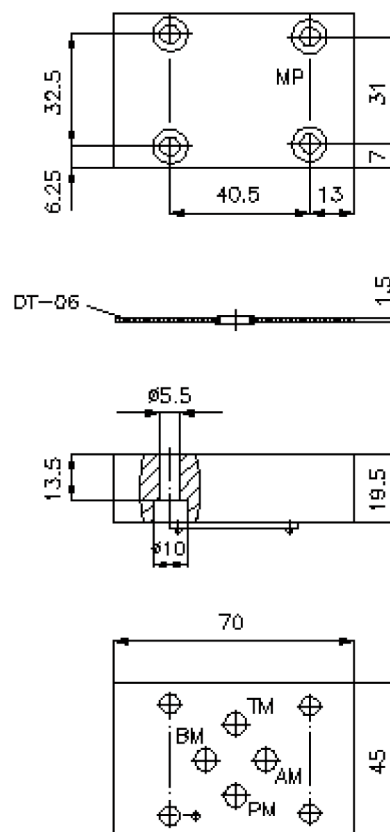
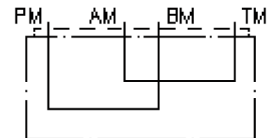


# linking/crossover plate CETOP 3 (P with B connected, T with A connected) UP-06.-PB+TA

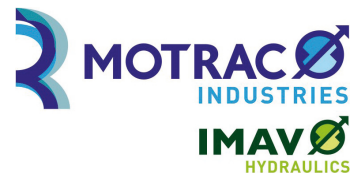
IZ-850-206-00

(subject to change)



# linking/crossover plate CETOP 3 (P with B connected, T with A connected)

UP-06.-PB+TA



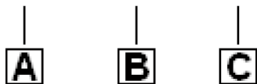
Motrac Hydraulik GmbH  
Siemensring 87 - D-47877 Willich  
fon +49-(0)2154-8162.0 - fax +49-(0)2154-8162.499  
e-mail info.miw@motracindustries.com  
internet www.motracindustries.com

IZ-850-206-00

(subject to change)

## Ordering example:

UP - 06A - PB+TA



## Model code:

- A design**  
turn round plate  
with mounting interface DIN 24340 form A
- B size and material**  
06A = aluminum (F37)  
06S = steel (9SMnPb28K resp. GGG-40)
- C function mode**  
PB+TA = P with B and T with A connected

## Technical Data:

- note:** required mounting screws:  
4 pcs. M5 x 25 DIN 912
- nominal pressure:** 250 bar (A)  
350 bar (S)
- weight:** 0.2 / 0.5 kg (A/S)
- included:** DT-06 = sealing plate with vulcanized O-ring (Viton FPM)