

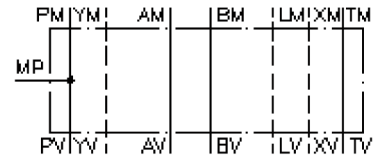
# gauge port plate, CETOP 7 ((sandwich plate) port in P) MPZ-16.-P-B..



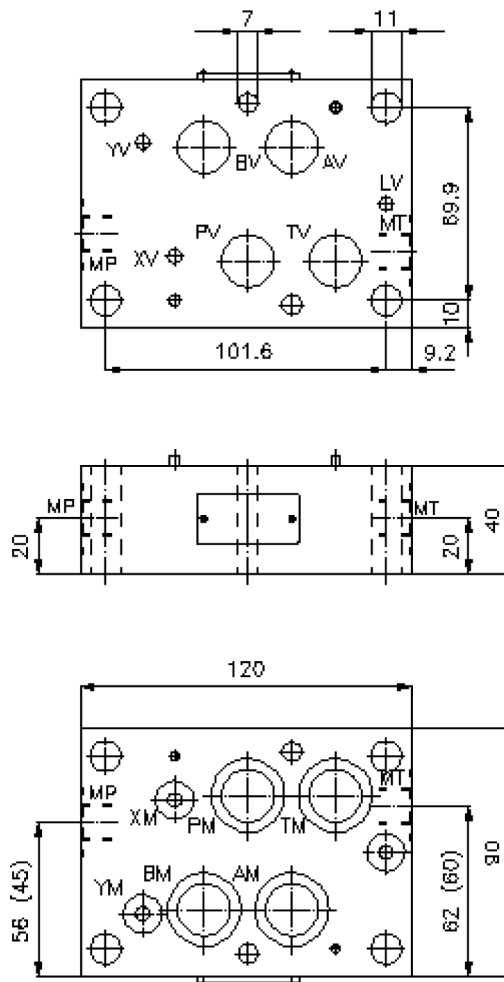
Motrac Hydraulik GmbH  
Siemensring 87 - D-47877 Willich  
fon +49-(0)2154-8162.0 - fax +49-(0)2154-8162.499  
e-mail info.miw@motracindustries.com  
internet www.motracindustries.com

**IZ-830-500-00**

(subject to change)



## DATA SHEET



# gauge port plate, CETOP 7 ((sandwich plate) port in P)

MPZ-16.-P-B..



Motrac Hydraulik GmbH  
Siemensring 87 - D-47877 Willich  
fon +49-(0)2154-8162.0 - fax +49-(0)2154-8162.499  
e-mail info.miw@motracindustries.com  
internet www.motracindustries.com

IZ-830-500-00

(subject to change)

## Ordering example:

MPZ - 16A - P - B02  
|     |     |     |  
**A**   **B**   **C**   **D**

## Model code:

- |   |   |
|---|---|
| <b>A</b> <b>design</b><br>gauge plate<br>with mounting interface DIN 24340 form A<br>sandwichplate design | <b>C</b> <b>function mode</b><br>P = with gauge port at P         |
| <b>B</b> <b>size and material</b><br>16A = aluminum (F37)<br>16S = steel (9SMnPb28K resp. GGG-40)         | <b>D</b> <b>thread size</b><br>B02 = BSPP 1/4"<br>B03 = BSPP 3/8" |

## Technical Data:

- |                          |   |
|--------------------------|---|
| <b>note:</b>             | dimensions ( ) for variant B03 resp. B04<br>variant MPZ-16.-P+T-B04 without L channel |
| <b>nominal pressure:</b> | 250 bar (A)<br>350 bar (S)  |
| <b>weight:</b>           | 1.2 / 3.2 kg (A/S)  |
| <b>included:</b>         | 4 pcs. O-ring 22.22 x 2.62<br>3 pcs. O-ring 9.19 x 2.62                               |