

adapter plate CETOP 8 to CETOP 7 (sandwich plate)

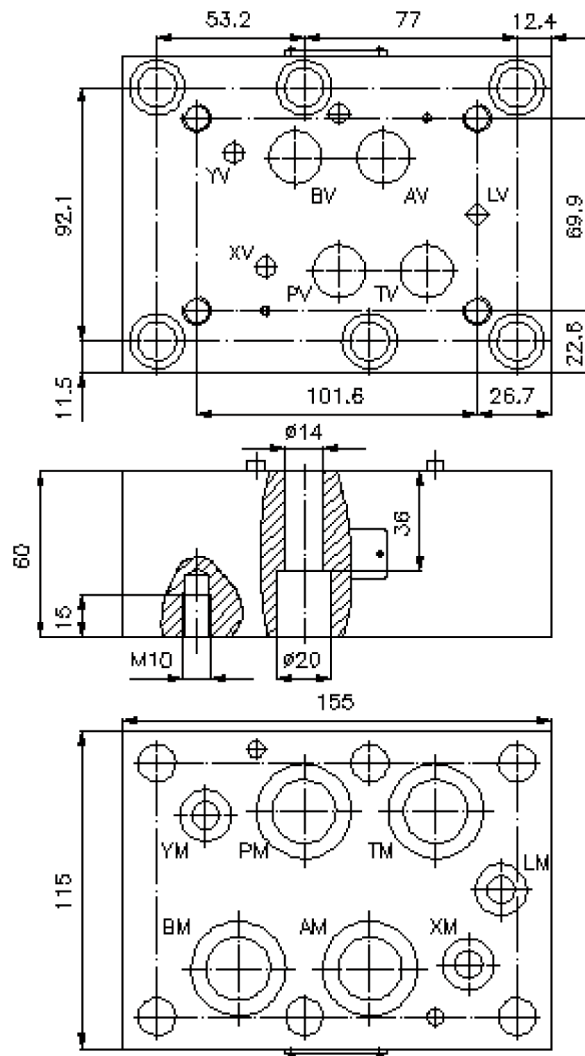
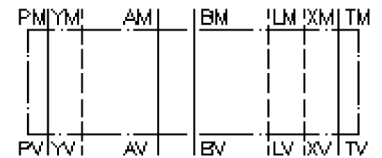
AP-25./16.



Motrac Hydraulik GmbH
Siemensring 87 - D-47877 Willich
fon +49-(0)2154-8162.0 - fax +49-(0)2154-8162.499
e-mail info.mhw@motrac-hydraulics.com
internet www.motrac-hydraulics.com

IZ-810-600-00

(subject to change)



adapter plate CETOP 8 to CETOP 7 (sandwich plate)

AP-25./16.



Motrac Hydraulik GmbH
Siemensring 87 - D-47877 Willich
fon +49-(0)2154-8162.0 - fax +49-(0)2154-8162.499
e-mail info.mhw@motrac-hydraulics.com
internet www.motrac-hydraulics.com

IZ-810-600-00

(subject to change)

Ordering example:

AP - 25S/16S



Model code:

A **design**
adapter-plate
with mounting interface DIN 24340 form A

B **size and material**
reduction from CETOP 8 to CETOP 7
25A/16A = aluminum (F37)
25S/16S = steel (9SMnPb28K resp. GGG-40)

Technical Data:

nominal pressure: 210 bar (A)
350 bar (S)

weight: 3.1 / 6.3 kg (A/S)

included: 4 pcs. O-Ring 28.17 x 3.53
3 pcs. O-Ring 14.00 x 2.65