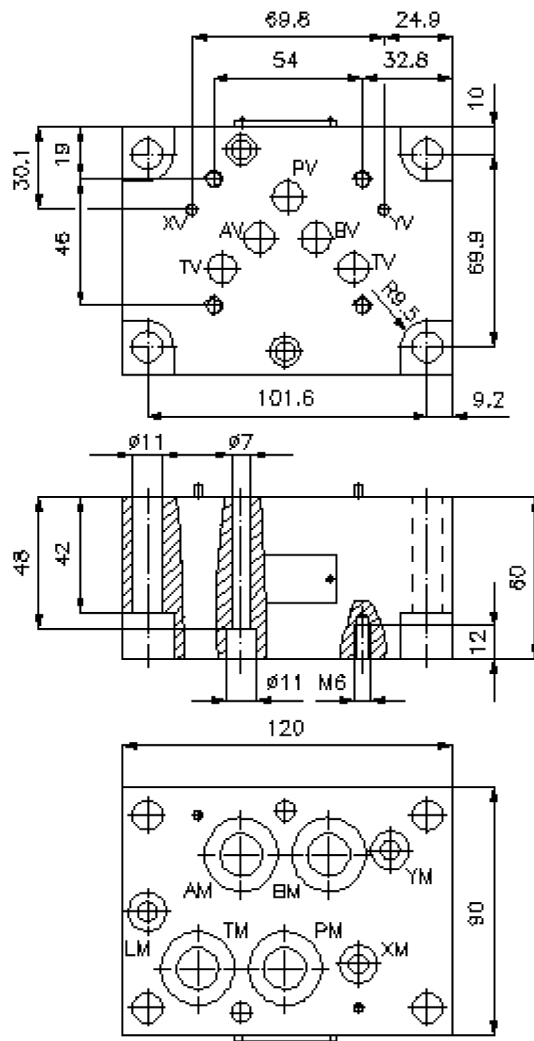
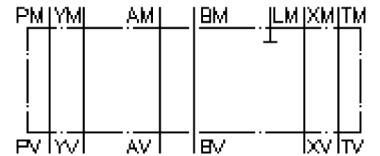


# adapter plate CETOP 7 to CETOP 5 (sandwich plate) CETOP 5-XY extern

AP-16./10.-XY

**IZ-810-510-00**

(subject to change)



# adapter plate CETOP 7 to CETOP 5 (sandwich plate) CETOP 5-XY extern

AP-16./10.-XY



Motrac Hydraulik GmbH  
Siemensring 87 - D-47877 Willich  
fon +49-(0)2154-8162.0 - fax +49-(0)2154-8162.499  
e-mail info.mhw@motrac-hydraulics.com  
internet www.motrac-hydraulics.com

IZ-810-510-00

(subject to change)

## Ordering example:

AP - 16S/10S - XY  
|                   |                   |  
**A**               **B**               **C**

## Model code:

- A design**  
adapter-plate  
with mounting interface DIN 24340 form A
- B size and material**  
reduction from CETOP 7 to CETOP 5  
16A/10A = aluminum (F37)  
16S/10S = steel (9SMnPb28K resp. GGG-40)
- C function mode**  
XY = mit X und Y Bohrung

## Technical Data:

- nominal pressure:** 210 bar (A)  
350 bar (S)
- weight:** 1.3 / 2.7 kg (A/S)
- included:** 4 pcs. O-ring 22.22 x 2.62  
3 pcs. O-ring 9.19 x 2.62