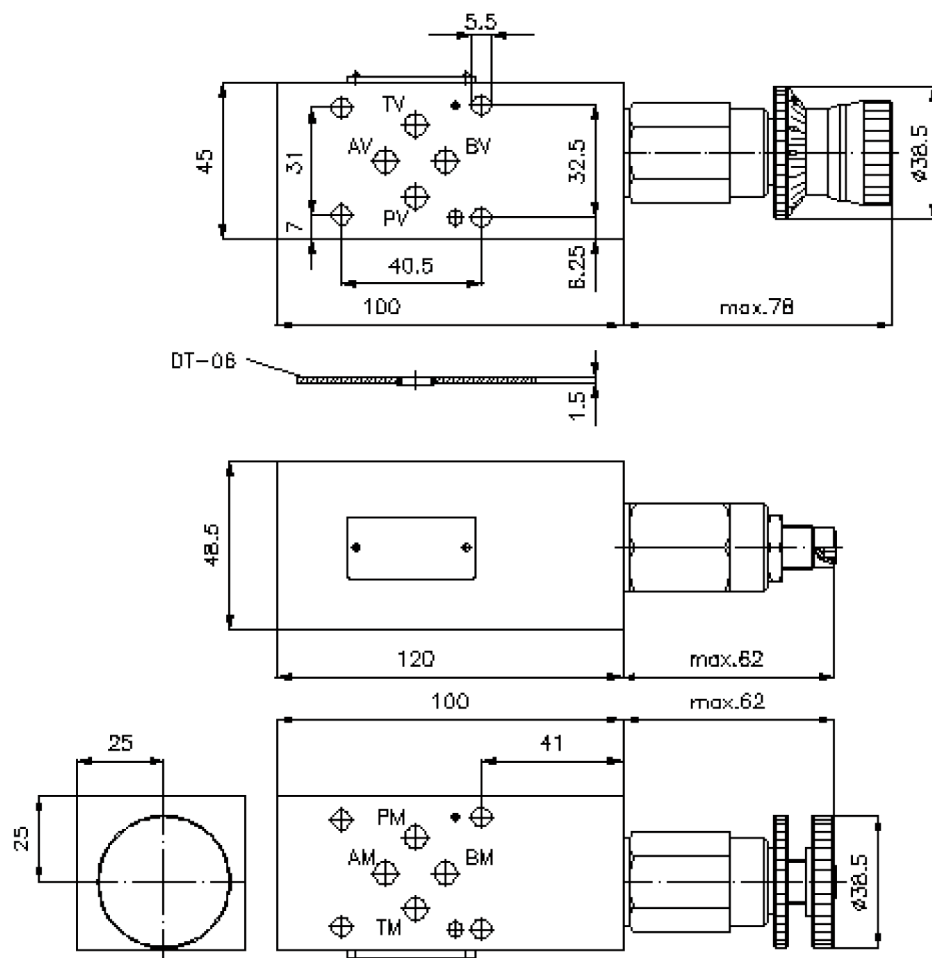
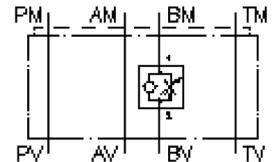


2-way flow regulation valve CETOP 3 ((sandwich plate) flow regulation in B)

SR2Z-06.-BR1.



2-way flow regulation valve CETOP 3 ((sandwich plate) flow regulation in B)

SR2Z-06.-BR1.



Motrac Hydraulik GmbH
Siemensring 87 - D-47877 Willich
fon +49-(0)2154-8162.0 - fax +49-(0)2154-8162.499
e-mail info.miw@motracindustries.com
internet www.motracindustries.com

IZ-650-201-00

(subject to change)



Ordering example:

SR2Z - 06A - B R1 K
| | | | |
A **B** **C** **D** **E**

Model code:

- | | |
|--|--|
| <p>A design
flow regulator valve
with free reverse flow
with mounting interface DIN 24340 form A
sandwichplate design</p> <p>B size and material
06A = aluminum (F37)
06S = steel (9SMnPb28K resp. GGG-40)</p> | <p>C function mode
B = in B acting</p> <p>D flow regulator valve
R1 = FAR1-10.-... see data sheet no.: <u>MF-200-101-00</u></p> <p>E adjustment
S = screw adjustment
C = cap
K = handknob
H = calibrated handknob with locknut</p> |
|--|--|

Technical Data:

- | | |
|------------------------------|---|
| note: | Supply and return regulation will change by turning the valve around the longitudinal axis. |
| nominal pressure: | 250 bar (A)
350 bar (S) |
| nominal flow: | 38 l/min |
| weight: | 0.5 / 1.1 kg (A/S) |
| flow regulator valve: | FAR1-10.-.-0-.. see datasheet no. <u>MF-200-101-00</u> |
| included: | DT-06 = sealing plate with vulcanized O-ring (Viton FPM) |