

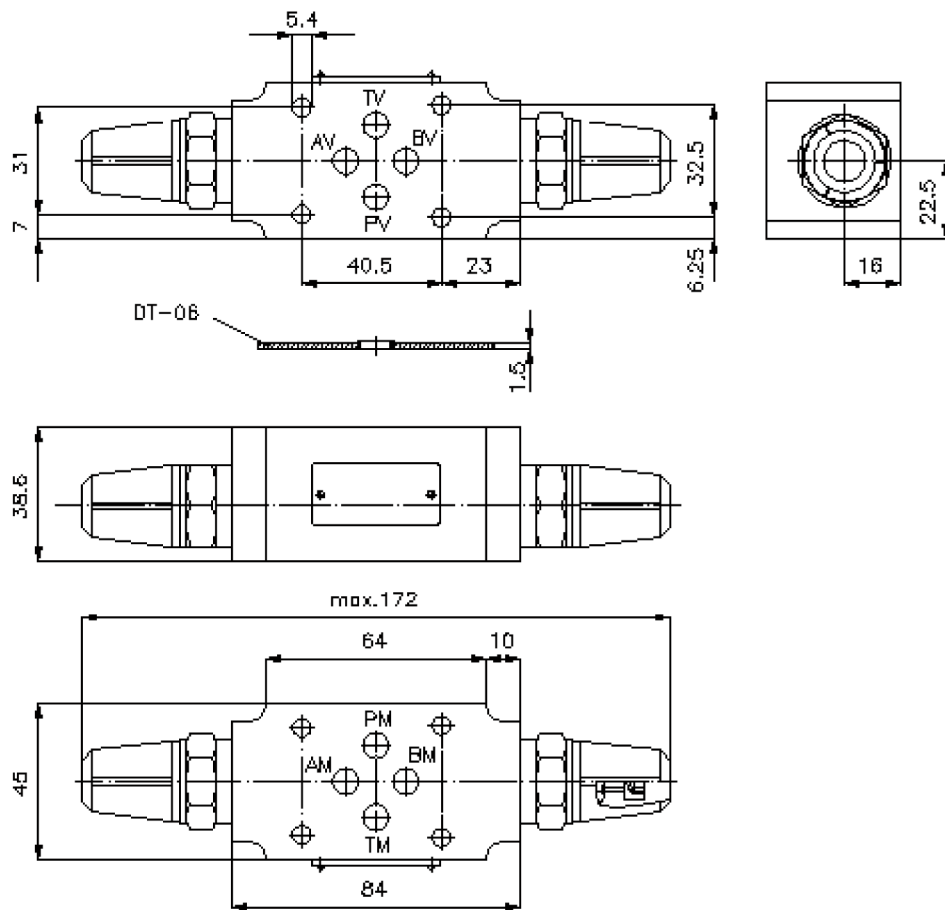
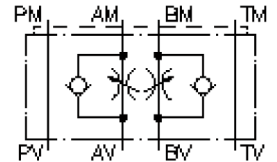
# throttle check valve CETOP 3 ((sandwich plate) in A+B (from target)) DVZ-06-A+B

IZ-610-201-00

(subject to change)

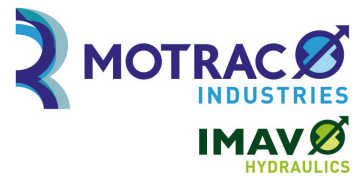


reduced flow by consumer



# throttle check valve CETOP 3 ((sandwich plate) in A+B (from target))

DVZ-06-A+B



Motrac Hydraulik GmbH  
Siemensring 87 - D-47877 Willich  
fon +49-(0)2154-8162.0 - fax +49-(0)2154-8162.499  
e-mail info.miw@motracindustries.com  
internet www.motracindustries.com

IZ-610-201-00

(subject to change)

## Ordering example:

DVZ - 06 - A+B (v)  
|     |     |     |  
**A**   **B**   **C**   **D**

## Model code:

- |  |   |
|--|---|
| <b>A</b> <b>design</b><br>throttle check valve<br>with mounting interface DIN 24340 form A<br>sandwichplate design | <b>B</b> <b>size</b><br>06  |
|  | <b>C</b> <b>function mode</b><br>A+B = in A and B acting                |
|  | <b>D</b> <b>controlled flow option</b><br>reduced flow towards consumer |

## Technical Data:

- |                          |   |
|--------------------------|---|
| <b>note:</b>             | Supply and return regulation will change by turning the valve around the longitudinal axis. |
| <b>nominal pressure:</b> | 320 bar   |
| <b>nominal flow:</b>     | 80 l/min  |
| <b>weight:</b>           | 1.2 kg  |
| <b>included:</b>         | DT-06 = sealing plate with vulcanized O-ring (Viton FPM)                                    |