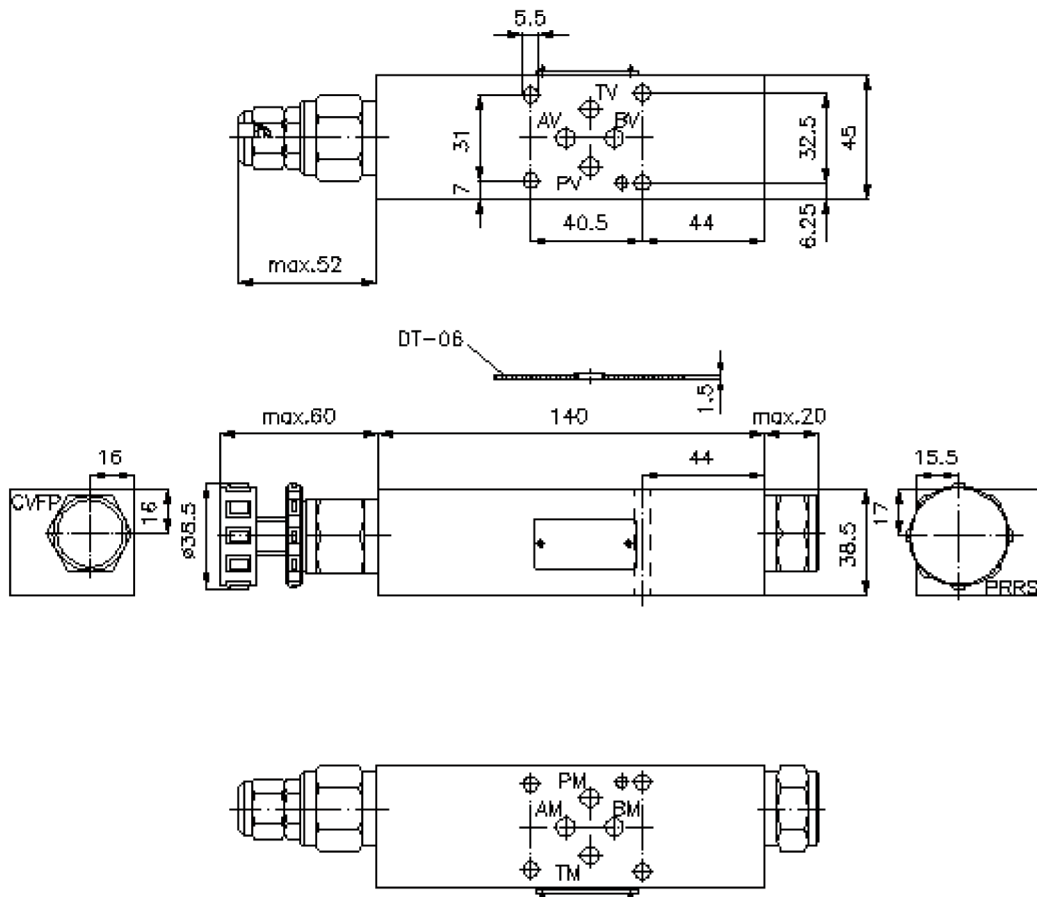
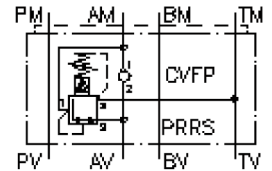


3-way pressure reducing valve CETOP 3 ((sandwich plate) in A, pilot operated) DMVZ-06.-ARS./..

IZ-430-251-00

(subject to change)



3-way pressure reducing valve CETOP 3 ((sandwich plate) in A, pilot operated)

DMVZ-06.-ARS./..



Motrac Hydraulik GmbH
Siemensring 87 - D-47877 Willich
fon +49-(0)2154-8162.0 - fax +49-(0)2154-8162.499
e-mail info.miw@motracindustries.com
internet www.motracindustries.com

IZ-430-251-00

(subject to change)



Ordering example:

DMVZ - 06S - A RS C / 15
| | | | | |
A **B** **C** **D** **E** **F**

Model code:

- | | |
|--|--|
| <p>A design
pressure regulator valve
with mounting interface DIN 24340 form A
sandwichplate design</p> <p>B size and material
06S = steel (9SMnPb28K resp. GGG-40)</p> <p>C function mode
A = in A acting</p> <p>D pressure reducing valve
RS = PRRS-10.-.. (pilot operated) see data
sheet no.: CP-210-101-00</p> | <p>E adjustment
C = cap
K = handknob</p> <p>F pressure range (PRRS)
15 = 3.4 - 105 bar
30 = 3.4 - 210 bar
50 = 3.4 - 350 bar</p> |
|--|--|

Technical Data:

nominal pressure:	250 bar (A) 350 bar (S)
nominal flow:	45 l/min
weight:	0.8 / 1.9 kg (A/S)
included:	DT-06 = sealing plate with vulcanized O-ring (Viton FPM)