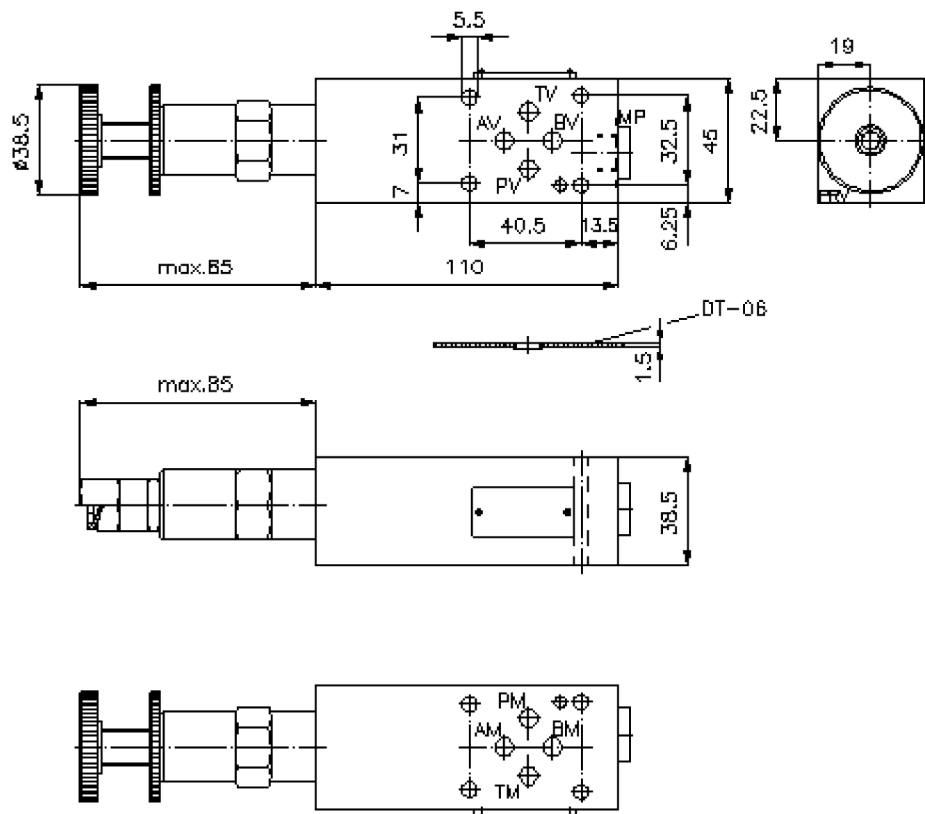
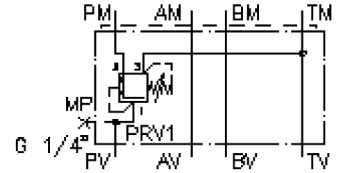


3-way pressure reducing valve CETOP 3 ((sandwich plate) in P, direct acting) DMVZ-06.-P01./..

IZ-430-200-00

(subject to change)



3-way pressure reducing valve CETOP 3 ((sandwich plate) in P, direct acting)

DMVZ-06.-P01./..



Motrac Hydraulik GmbH
Siemensring 87 - D-47877 Willich
fon +49-(0)2154-8162.0 - fax +49-(0)2154-8162.499
e-mail info.miw@motracindustries.com
internet www.motracindustries.com

IZ-430-200-00

(subject to change)



Ordering example:

DMVZ - 06S - P 01 C / 12
| | | | | |
A **B** **C** **D** **E** **F**

Model code:

- | | |
|--|---|
| <p>A design
pressure regulator valve
with mounting interface DIN 24340 form A
sandwichplate design</p> <p>B size and material
06S = steel (9SMnPb28K resp. GGG-40)</p> <p>C function mode
P = in P acting</p> <p>D pressure reducing valve
01 = PRV1-10.-.. (direct acting) see data
sheet no.: MP-210-100-00
02 = PRV2-10.-.. (pilot operated) see data
sheet no.: MP-210-101-00</p> <p>E adjustment
C = cap
K = handknob</p> | <p>F pressure range
pressure range (PRV1)
02 = 3.5 - 14 bar
06 = 7.0 - 40 bar
12 = 14.0 - 85 bar
24 = 30.0 - 165 bar
pressure range (PRV2)
03 = 3.5 - 20 bar
20 = 7.0 - 140 bar
35 = 17.0 - 240 bar</p> |
|--|---|

Technical Data:

nominal pressure:	250 bar (A) 350 bar (S)
nominal flow:	15 l/min
weight:	0.7 / 1.5 kg (A/S)
included:	DT-06 = sealing plate with vulcanized O-ring (Viton FPM)