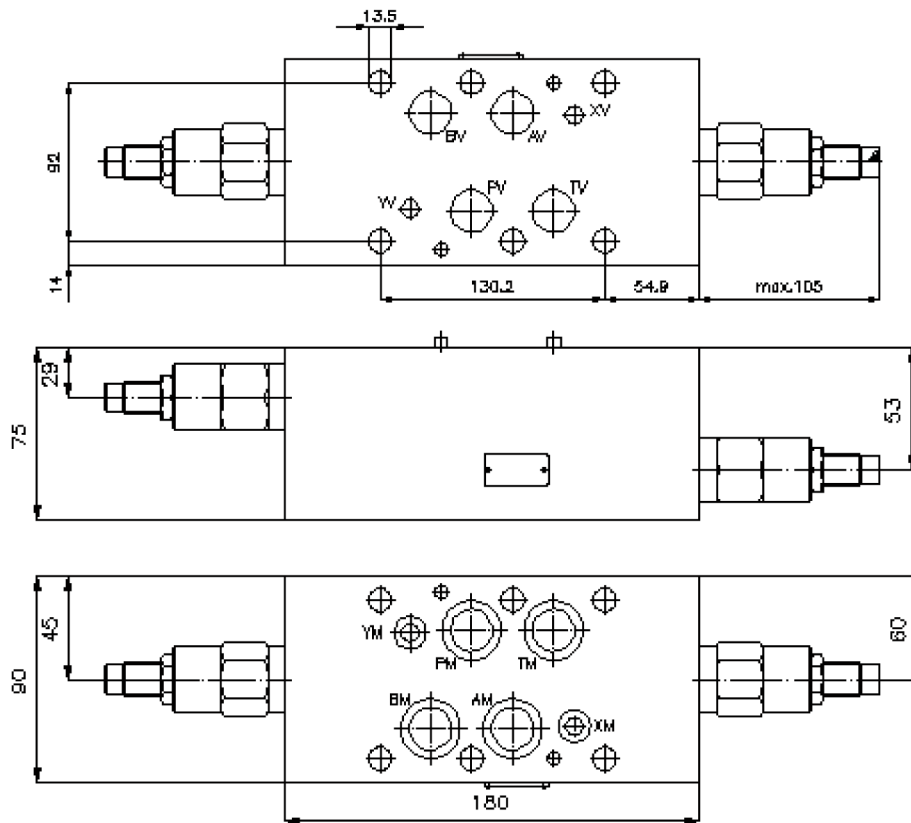
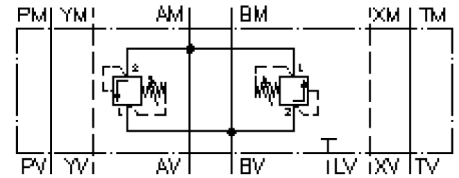


# dual pressure relief valve, CETOP 8 ((sandwich plate) A to B + B to A) DDBVZ-25.-03S/..



# dual pressure relief valve, CETOP 8 ((sandwich plate) A to B + B to A)

DDBVZ-25.-03S/..



Motrac Hydraulik GmbH  
Siemensring 87 - D-47877 Willich  
fon +49-(0)2154-8162.0 - fax +49-(0)2154-8162.499  
e-mail info.miw@motracindustries.com  
internet www.motracindustries.com

IZ-425-600-00

(subject to change)



## Ordering example:

DDBVZ - 25S - 03 S / 35  
|            |            |            |            |  
**A**        **B**        **C**        **D**        **E**

## Model code:

- |   |  |
|---|--|
| <b>A</b> <b>design</b><br>bi-directional relief-valve<br>with mounting interface DIN 24340 form A<br>sandwichplate design | <b>E</b> <b>pressure range</b><br>RV3-16.-..<br>05 = 3.5 - 35 bar<br>13 = 35.0 - 90 bar<br>35 = 83.0 - 240 bar<br>50 = 140.0 - 350 bar |
| <b>B</b> <b>size and material</b><br>25S = steel (9SMnPb28K resp. GGG-40)   |  |
| <b>C</b> <b>relief valve</b><br>03 = RV3-16.-.. (direct acting) see data<br>sheet no.: <a href="#">MP-150-161-00</a>      |  |
| <b>D</b> <b>adjustment</b><br>S = screw adjustment  |  |

## Technical Data:

**nominal pressure:** 250 bar (A)  
350 bar (S)

**nominal flow:** 305 l/min

**weight:** 8.8 / 17.17 kg (A/S)

**included:** 4 pcs. O-ring 28.17 x 3.53  
2 pcs. O-ring 14.00 x 2.65