

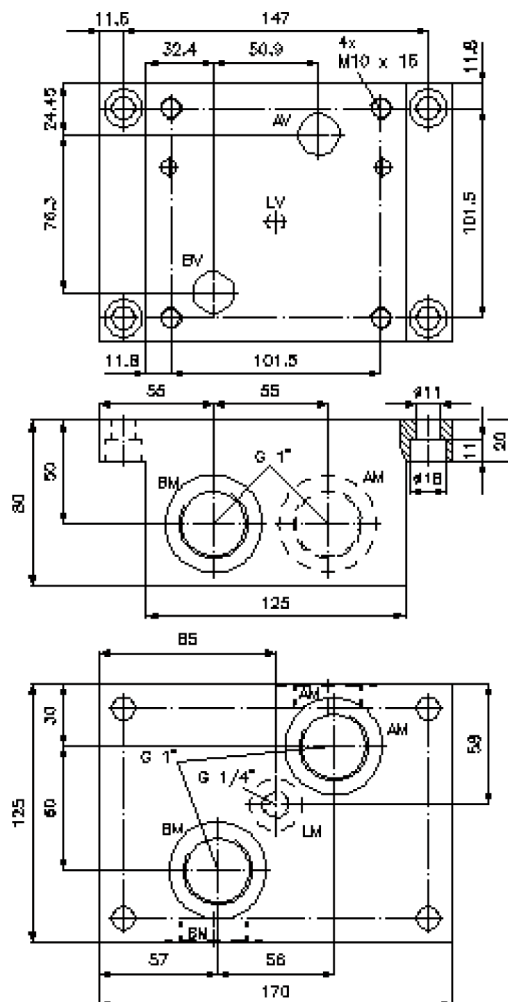
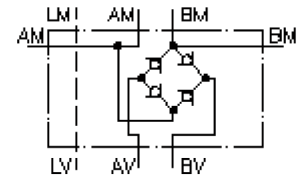
rectifier CETOP 7 ((mounting plate) with leakage hole) QGA-16.



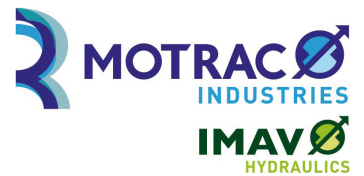
Motrac Hydraulik GmbH
Siemensring 87 - D-47877 Willich
fon +49-(0)2154-8162.0 - fax +49-(0)2154-8162.499
e-mail info.miw@motracindustries.com
internet www.motracindustries.com

IZ-310-503-00

(subject to change)



rectifier CETOP 7
((mounting plate) with leakage hole)
QGA-16.



Motrac Hydraulik GmbH
Siemensring 87 - D-47877 Willich
fon +49-(0)2154-8162.0 - fax +49-(0)2154-8162.499
e-mail info.miw@motracindustries.com
internet www.motracindustries.com

IZ-310-503-00

(subject to change)



Ordering example:

QGA - 16A
| |
A **B**

Model code:

A **design**
flow rectifier plate
mounting

B **size and material**
16A = aluminum (F37)
16S = steel (9SMnPb28K resp. GGG-40)

Technical Data:

nominal pressure: 250 bar (A)
350 bar (S)
nominal flow: 140 l/min
weight: 3.9 / 10.7 kg (A/S)