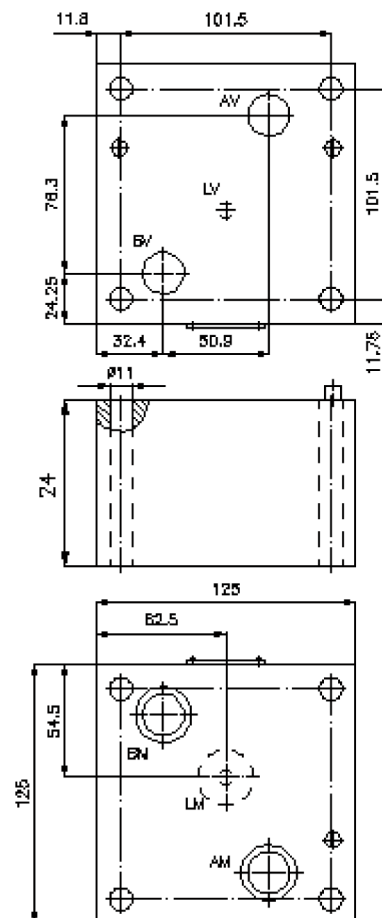
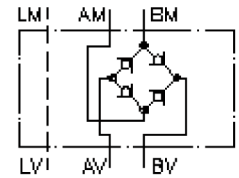


rectifier CETOP 7 (sandwich plate) with leakage hole QGZ-16.

IZ-310-502-00

(subject to change)



rectifier CETOP 7 (sandwich plate) with leakage hole

QGZ-16.



Motrac Hydraulik GmbH
Siemensring 87 - D-47877 Willich
fon +49-(0)2154-8162.0 - fax +49-(0)2154-8162.499
e-mail info.miw@motracindustries.com
internet www.motracindustries.com

IZ-310-502-00

(subject to change)



Ordering example:

QGZ - 16A
| |
A **B**

Model code:

A **design**
flow rectifier plate
sandwichplate design

B **size and material**
16A = aluminum (F37)
16S = steel (9SMnPb28K resp. GGG-40)

Technical Data:

nominal pressure: 250 bar (A)
350 bar (S)

nominal flow: 80 l/min

weight: 3.2 / 8.8 kg (A/S)

included: 5 pcs. O-Ring 22.42 x 2.62