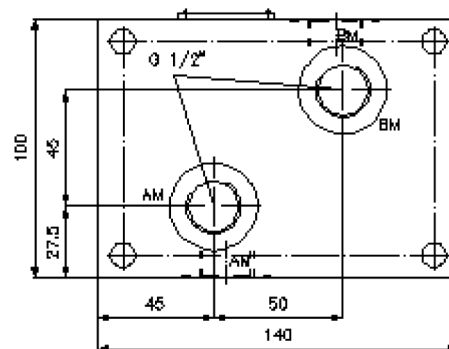
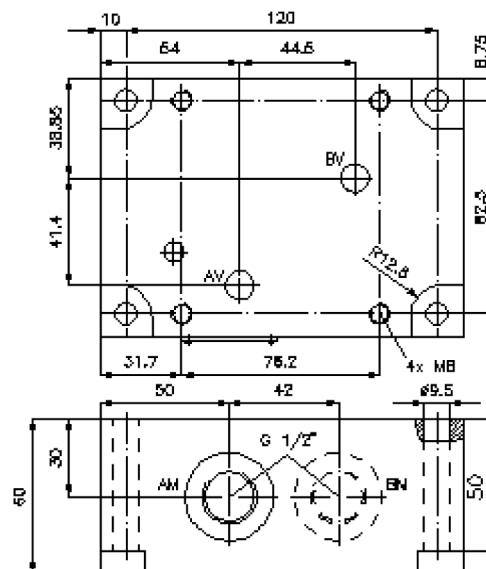
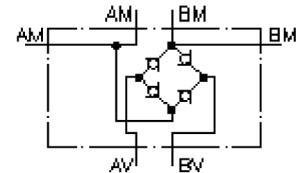


rectifier CETOP 5 (mounting plate)

SGA-10.

IZ-310-401-00

(subject to change)



rectifier CETOP 5 (mounting plate)

SGA-10.



Motrac Hydraulik GmbH
Siemensring 87 - D-47877 Willich
fon +49-(0)2154-8162.0 - fax +49-(0)2154-8162.499
e-mail info.miw@motracindustries.com
internet www.motracindustries.com

IZ-310-401-00

(subject to change)



Ordering example:

SGA - 10A



Model code:

A design
flow rectifier plate
mounting

B size and material
10A = aluminum (F37)
10S = steel (9SMnPb28K resp. GGG-40)

Technical Data:

nominal pressure: 250 bar (A)
350 bar (S)

nominal flow: 50 l/min

weight: 1.8 / 4.9 kg (A/S)