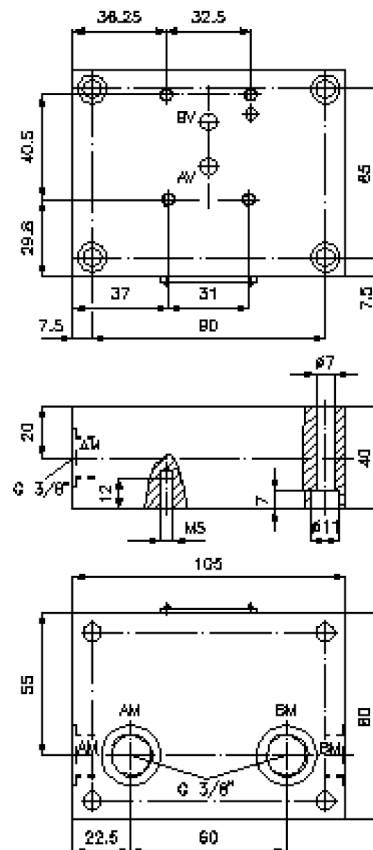
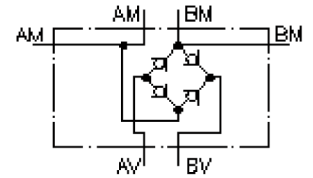


# rectifier CETOP 3 (mounting plate)

SGA-06.-B..

IZ-310-201-00

(subject to change)



# rectifier CETOP 3 (mounting plate)

SGA-06.-B..



Motrac Hydraulik GmbH  
Siemensring 87 - D-47877 Willich  
fon +49-(0)2154-8162.0 - fax +49-(0)2154-8162.499  
e-mail info.miw@motracindustries.com  
internet www.motracindustries.com

IZ-310-201-00

(subject to change)



## Ordering example:

SGA - 06A - B02



## Model code:

**A** **design**  
flow rectifier plate  
mounting

**B** **size and material**  
06A = aluminum (F37)  
06S = steel (9SMnPb28K resp. GGG-40)

**C** **port size**  
B02 = BSPP 1/4"  
B03 = BSPP 3/8"

## Technical Data:

**nominal pressure:** 250 bar (A)  
350 bar (S)

**nominal flow:** 30 l/min

**weight:** 0.9 / 2.1 kg (A/S)