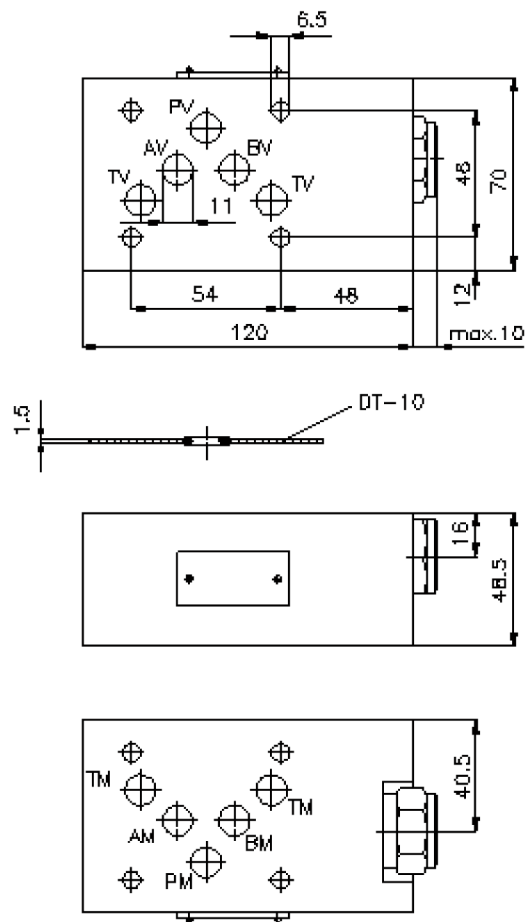
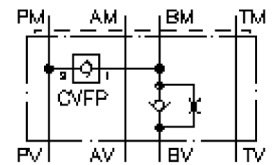


# regeneration circuit plate CETOP 5 ((sandwich plate) in B with orifice) DSCZ-10.-B/...mm

IZ-210-453-00

(subject to change)



# regeneration circuit plate CETOP 5 ((sandwich plate) in B with orifice)

DSCZ-10.-B/...mm



Motrac Hydraulik GmbH  
Siemensring 87 - D-47877 Willich  
fon +49-(0)2154-8162.0 - fax +49-(0)2154-8162.499  
e-mail info.miw@motracindustries.com  
internet www.motracindustries.com

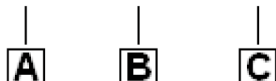
IZ-210-453-00

(subject to change)



## Ordering example:

DSCZ - 10A - B/1.0 MM



## Model code:

- |  |  |
|--|--|
| <p><b>A</b> <b>design</b><br/>regeneration plate<br/>with mounting interface DIN 24340 form A<br/>sandwichplate design</p> | <p><b>B</b> <b>size and material</b><br/>10A = aluminum (F37)<br/>10S = steel (9SMnPb28K resp. GGG-40)</p> <p><b>C</b> <b>function mode</b><br/>B/1.0mm = check valve with orifice 1.0<br/>mm in the "B" channel</p> |
|--|--|

## Technical Data:

<b>nominal pressure:</b>	250 bar (A) 350 bar (S)
<b>nominal flow:</b>	68 l/min
<b>weight:</b>	1.1 / 2.9 kg (A/S)
<b>crack pressure:</b>	0.2 - 0.3 bar
<b>free flow direction:</b>	see symbol
<b>check valve:</b>	CVFP-10.-0-... see datasheet no. <a href="#">CC-110-101-00</a>
<b>included:</b>	DT-10 = sealing plate with vulcanized O-ring (Viton FPM)