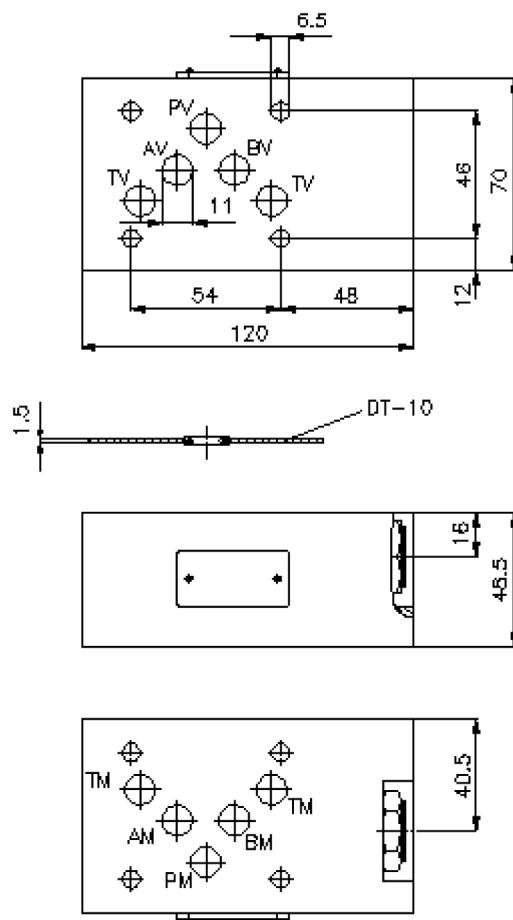
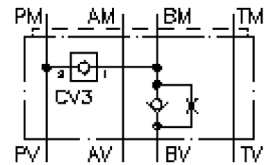


regeneration circuit plate CETOP 5 ((sandwich plate) in B with orifice)

DSMZ-10.-B/...mm

IZ-210-403-00

(subject to change)



regeneration circuit plate CETOP 5 ((sandwich plate) in B with orifice)

DSMZ-10.-B/...mm



Motrac Hydraulik GmbH
Siemensring 87 - D-47877 Willich
fon +49-(0)2154-8162.0 - fax +49-(0)2154-8162.499
e-mail info.miw@motracindustries.com
internet www.motracindustries.com

IZ-210-403-00

(subject to change)

Ordering example:

DSMZ - 10S - B/1.0 MM



Model code:

- | | |
|--|---|
| A design
regeneration plate
with mounting interface DIN 24340 form A
sandwichplate design | B size and material
10A = aluminum (F37)
10S = steel (9SMnPb28K resp. GGG-40) |
| | C function mode
B/1.0mm = check valve with orifice 1.0
mm in the "B" channel |

Technical Data:

nominal pressure:	250 bar (A) 350 bar (S)
nominal flow:	76 l/min
weight:	1.1 / 2.9 kg (A/S)
crack pressure:	0.2 - 0.3 bar
free flow direction:	see symbol
check valve:	CV3-10.-... see datasheet no. <u>MC-130-100-00</u>
included:	DT-10 = sealing plate with vulcanized O-ring (Viton FPM)