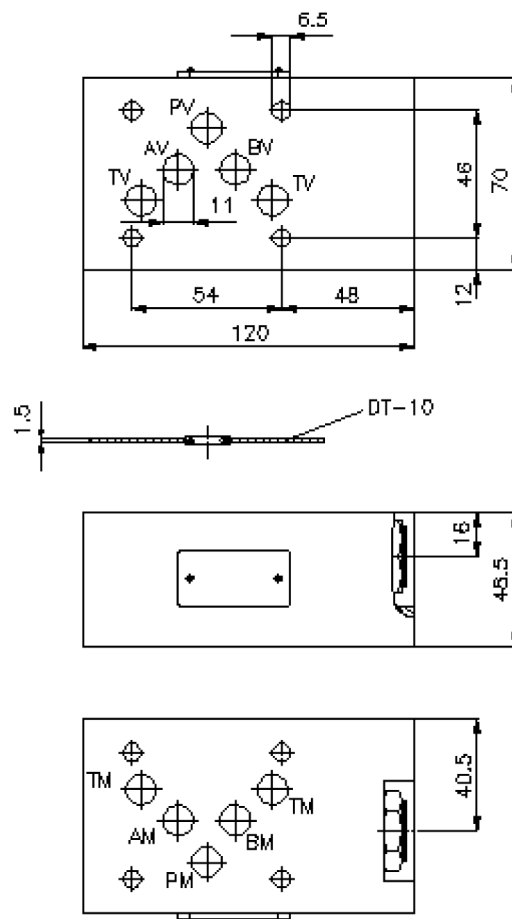
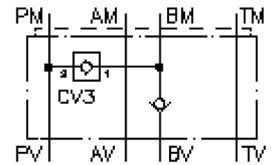


# regeneration circuit plate CETOP 5 ((sandwich plate) in B)

DSMZ-10.-B

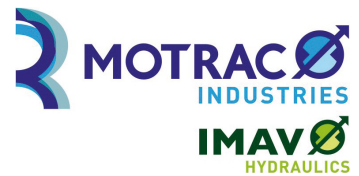
IZ-210-402-00

(subject to change)



# regeneration circuit plate CETOP 5 ((sandwich plate) in B)

DSMZ-10.-B



Motrac Hydraulik GmbH  
Siemensring 87 - D-47877 Willich  
fon +49-(0)2154-8162.0 - fax +49-(0)2154-8162.499  
e-mail info.miw@motracindustries.com  
internet www.motracindustries.com

IZ-210-402-00

(subject to change)

## Ordering example:

DSMZ - 10S - B  
|        |        |  
**A**    **B**    **C**

## Model code:

- |  |   |
|--|---|
| <b>A</b> <b>design</b><br>regeneration plate<br>with mounting interface DIN 24340 form A<br>sandwichplate design | <b>B</b> <b>size and material</b><br>10A = aluminum (F37)<br>10S = steel (9SMnPb28K resp. GGG-40) |
|  | <b>C</b> <b>function mode</b><br>B = check valve in the "B" channel                               |

## Technical Data:

<b>nominal pressure:</b>	250 bar (A) 350 bar (S)
<b>nominal flow:</b>	76 l/min
<b>weight:</b>	1.1 / 2.9 kg (A/S)
<b>crack pressure:</b>	0.2 - 0.3 bar
<b>free flow direction:</b>	see symbol
<b>check valve:</b>	CV3-10.-.. see datasheet no. <a href="#">MC-130-100-00</a>
<b>included:</b>	DT-10 = sealing plate with vulcanized O-ring (Viton FPM)