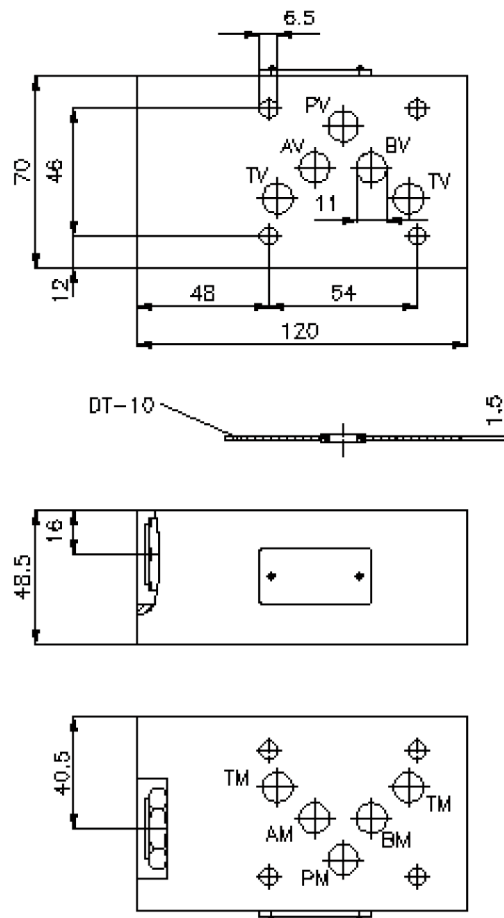
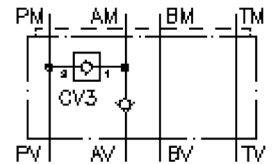


regeneration circuit plate CETOP 5 ((sandwich plate) in A)

DSMZ-10.-A

IZ-210-400-00

(subject to change)



regeneration circuit plate CETOP 5 ((sandwich plate) in A)

DSMZ-10.-A



Motrac Hydraulik GmbH
Siemensring 87 - D-47877 Willich
fon +49-(0)2154-8162.0 - fax +49-(0)2154-8162.499
e-mail info.miw@motracindustries.com
internet www.motracindustries.com

IZ-210-400-00

(subject to change)

Ordering example:

DSMZ - 10S - A
| | |
A **B** **C**

Model code:

- | | |
|--|---|
| A design
regeneration plate
with mounting interface DIN 24340 form A
sandwichplate design | B size and material
10A = aluminum (F37)
10S = steel (9SMnPb28K resp. GGG-40) |
| | C function mode
A = check valve in the "A" channel |

Technical Data:

nominal pressure:	250 bar (A) 350 bar (S)
nominal flow:	76 l/min
weight:	1.1 / 2.9 kg (A/S)
crack pressure:	0.2 - 0.3 bar
free flow direction:	see symbol
check valve:	CV3-10.-... see datasheet no. MC-130-100-00
included:	DT-10 = sealing plate with vulcanized O-ring (Viton FPM)