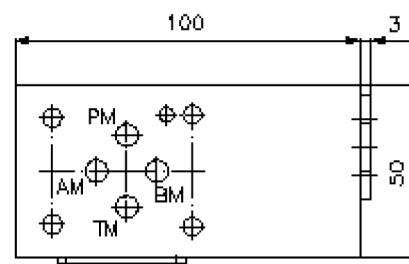
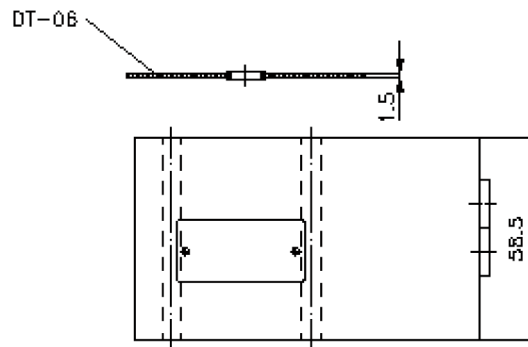
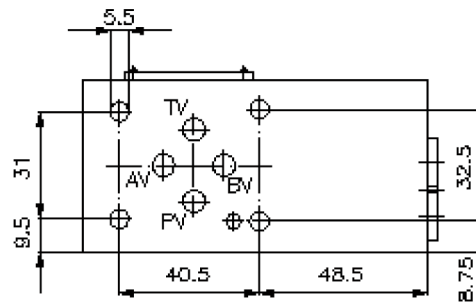
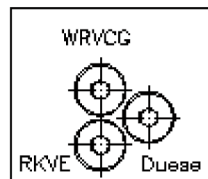
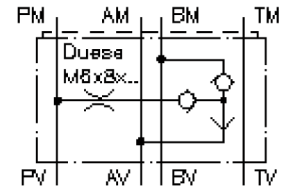


shuttle valve CETOP 3 ((sandwich plate) from A+B intern to P)

WRVDZ-06.-...

IZ-180-200-00

(subject to change)



shuttle valve CETOP 3 ((sandwich plate) from A+B intern to P)

WRVDZ-06.-...



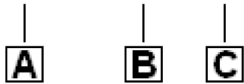
Motrac Hydraulik GmbH
Siemensring 87 - D-47877 Willich
fon +49-(0)2154-8162.0 - fax +49-(0)2154-8162.499
e-mail info.miw@motracindustries.com
internet www.motracindustries.com

IZ-180-200-00

(subject to change)

Ordering example:

WRVDZ - 06A - 0.6



Model code:

- | | |
|---|---|
| A design
shuttle valve
with mounting interface DIN 24340 form A
sandwichplate design | B size and material
06A = aluminum (F37)
06S = steel (9SMnPb28K resp. GGG-40) |
| | C orifice diameter
0.4 - 2.0 mm |

Technical Data:

nominal pressure:	250 bar (A) 350 bar (S)
weight:	0.8 / 2.3 kg (A/S)
shuttle valve:	WRVCG-04 see datasheet no. IC-310-000-00
in-line check valve:	RKVE-04 see datasheet no. IC-160-000-00
included:	DT-06 = sealing plate with vulcanized O-ring (Viton FPM)