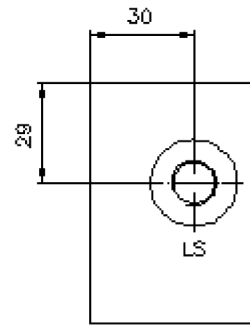
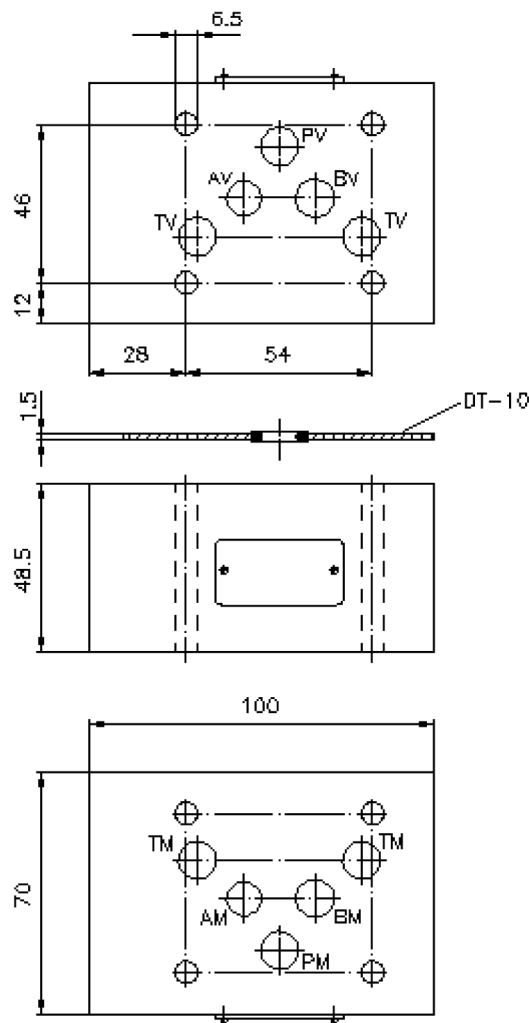
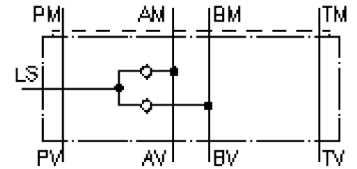


# shuttle valve CETOP 5 ((sandwich plate) from A+B extern to LS)

RLSZ-10.-B02



# shuttle valve CETOP 5 ((sandwich plate) from A+B extern to LS)

RLSZ-10.-B02



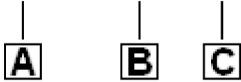
Motrac Hydraulik GmbH  
Siemensring 87 - D-47877 Willich  
fon +49-(0)2154-8162.0 - fax +49-(0)2154-8162.499  
e-mail info.miw@motracindustries.com  
internet www.motracindustries.com

IZ-170-400-00

(subject to change)

## Ordering example:

RLSZ - 10A - B02



## Model code:

**A** **design**  
shuttle valve plate  
with mounting interface DIN 24340 form A  
for load-sensing  
sandwichplate design

**B** **size and material**  
10A = aluminum (F37)  
10S = steel (9SMnPb28K resp. GGG-40)

**C** **port size**  
B02 = BSPP 1/4"

## Technical Data:

**note:** through: P, T, B : 11 mm A : 10 mm

**nominal pressure:** 250 bar (A)  
350 bar (S)

**weight:**

**shuttle valve:** RKVE-04 see datasheet no. IC-160-000-00

**included:** DT-10 = sealing plate with vulcanized O-ring (Viton FPM)