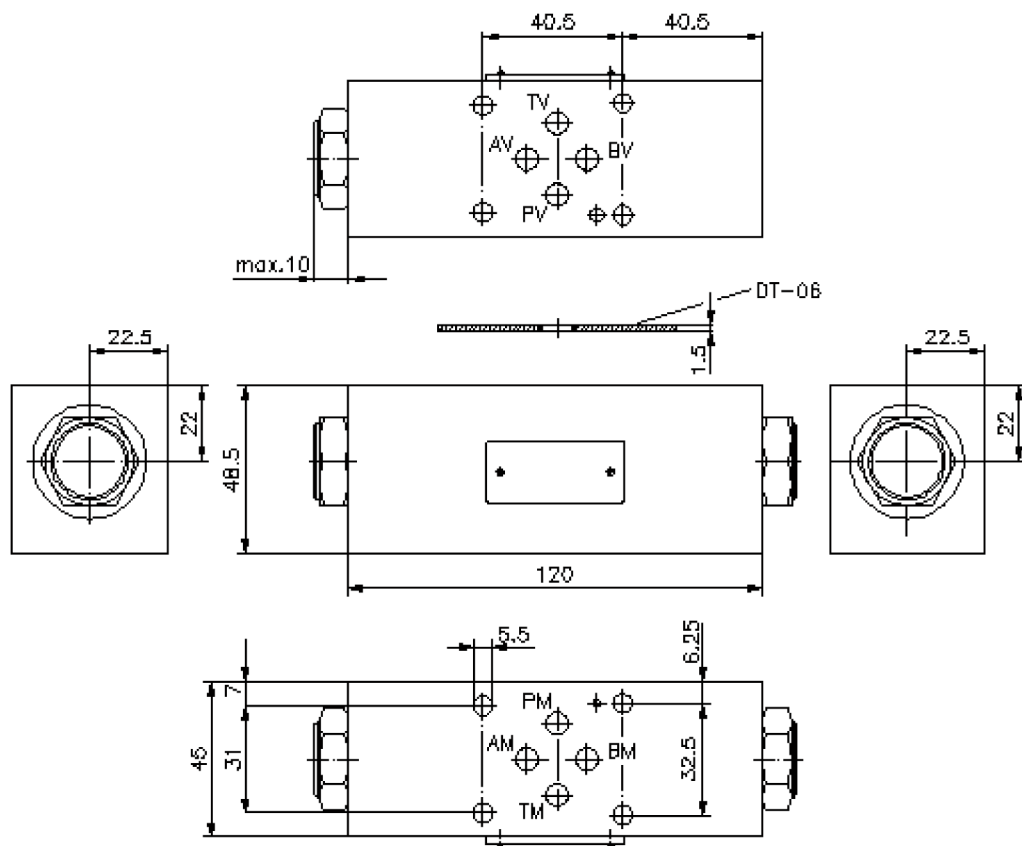
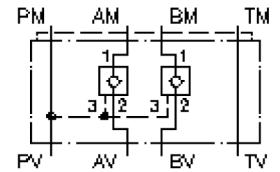


pilot op. check valve from P CETOP 3 ((sandwich plate) in A+B)

REMZ-06A-A+B/...

IZ-140-202-00

(subject to change)



pilot op. check valve from P CETOP 3 ((sandwich plate) in A+B)

REMZ-06A-A+B/...



Motrac Hydraulik GmbH
Siemensring 87 - D-47877 Willich
fon +49-(0)2154-8162.0 - fax +49-(0)2154-8162.499
e-mail info.miw@motracindustries.com
internet www.motracindustries.com

IZ-140-202-00

(subject to change)

Ordering example:

REMZ - 06A - A+B / 030



Model code:

- A** **design**
pilot operated check valve
pilot operated from P
with mounting interface DIN 24340 form A
sandwichplate design
- B** **size and material**
06A = aluminum (F37)

- C** **function mode**
A+B = in A and B acting
- D** **pilot operated check valve free flow crack pressure POC1-10.-..**
005 = 0.3 bar
030 = 2.0 bar
075 = 5.1 bar
100 = 6.9 bar

Model code:

- A** **design**
pilot operated check valve
pilot operated from P
with mounting interface DIN 24340 form A
sandwichplate design
- B** **size and material**
06A = aluminum (F37)

- C** **function mode**
A+B = in A and B acting
- D** **pilot operated check valve free flow crack pressure POC1-10.-..**
005 = 0.3 bar
030 = 2.0 bar
075 = 5.1 bar
100 = 6.9 bar