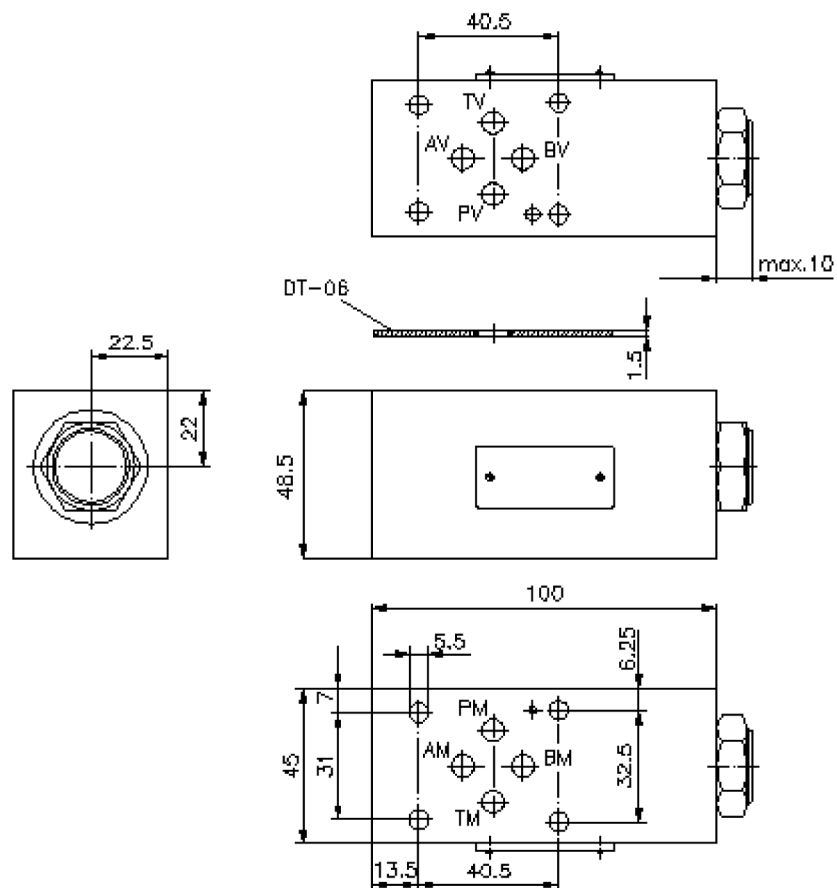
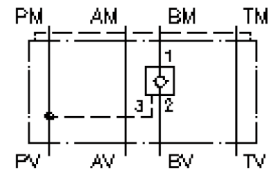


# pilot op. check valve from P CETOP 3 ((sandwich plate) in B)

REMZ-06A-B/...

IZ-140-201-00

(subject to change)



# pilot op. check valve from P CETOP 3 ((sandwich plate) in B)

REMZ-06A-B/...



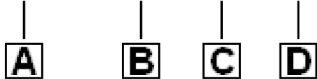
Motrac Hydraulik GmbH  
Siemensring 87 - D-47877 Willich  
fon +49-(0)2154-8162.0 - fax +49-(0)2154-8162.499  
e-mail info.miw@motracindustries.com  
internet www.motracindustries.com

IZ-140-201-00

(subject to change)

## Ordering example:

REMZ - 06A - B / 030



## Model code:

- |  |   |
|--|---|
| <p><b>A</b> <b>design</b><br/>pilot operated check valve<br/>pilot operated from P<br/>with mounting interface DIN 24340 form A<br/>sandwichplate design</p> <p><b>B</b> <b>size and material</b><br/>06A = aluminum (F37)</p> | <p><b>C</b> <b>function mode</b><br/>B = in B acting</p> <p><b>D</b> <b>pilot operated check valve free flow crack pressure POC1-10.-..</b><br/>005 = 0.3 bar<br/>030 = 2.0 bar<br/>075 = 5.1 bar<br/>100 = 6.9 bar</p> |
|--|---|

## Technical Data:

- |                             |  |
|-----------------------------|--|
| <b>nominal pressure:</b>    | 250 bar  |
| <b>nominal flow:</b>        | 57 l/min   |
| <b>weight:</b>              | 0.6 kg   |
| <b>check valve:</b>         | POC1-10.- see datasheet no.: <a href="#">MC-210-101-00</a> |
| <b>free flow direction:</b> | see symbol   |
| <b>included:</b>            | DT-06 = sealing plate with vulcanized O-ring (Viton FPM)   |