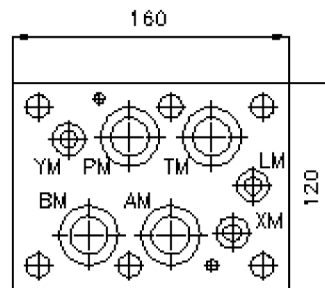
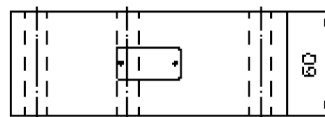
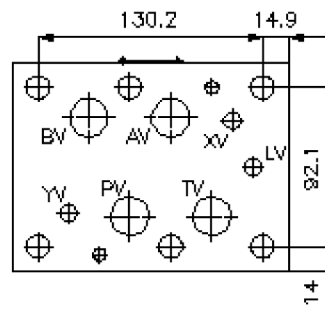
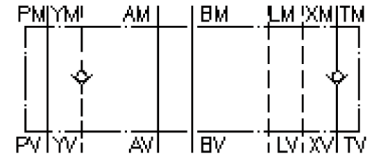


# check valve plate CETOP 8 ((sandwich plate) in T+Y)

RVZ-25A-T+Y

IZ-110-602-00

(subject to change)



# check valve plate CETOP 8 ((sandwich plate) in T+Y)

RVZ-25A-T+Y



Motrac Hydraulik GmbH  
Siemensring 87 - D-47877 Willich  
fon +49-(0)2154-8162.0 - fax +49-(0)2154-8162.499  
e-mail info.miw@motracindustries.com  
internet www.motracindustries.com

IZ-110-602-00

(subject to change)



## Ordering example:

RVZ - 25A - T+Y  
|        |        |  
**A**    **B**    **C**

## Model code:

- |   |   |   |
|---|---|---|
| <b>A</b> <b>design</b><br>check valve plate<br>with mounting interface DIN 24340 form A<br>sandwichplate design | <b>B</b> <b>size and material</b><br>25A = aluminum (F37) | <b>C</b> <b>function mode</b><br>T+Y = check valve in the "T+Y" channel |
|---|---|---|

## Technical Data:

<b>nominal pressure:</b>	250 bar
<b>nominal flow:</b>	240 l/min
<b>weight:</b>	3.2 kg
<b>crack pressure:</b>	0.2 - 0.3 bar (standard), higher pressure on request
<b>free flow direction:</b>	see symbol
<b>included:</b>	3 pcs. O-Ring 28.17 x 3.53 2 pcs. O-Ring 14.00 x 2.65 3 pcs. O-Ring 34.00 x 2.50 2 pcs. O-Ring 16.00 x 1.50