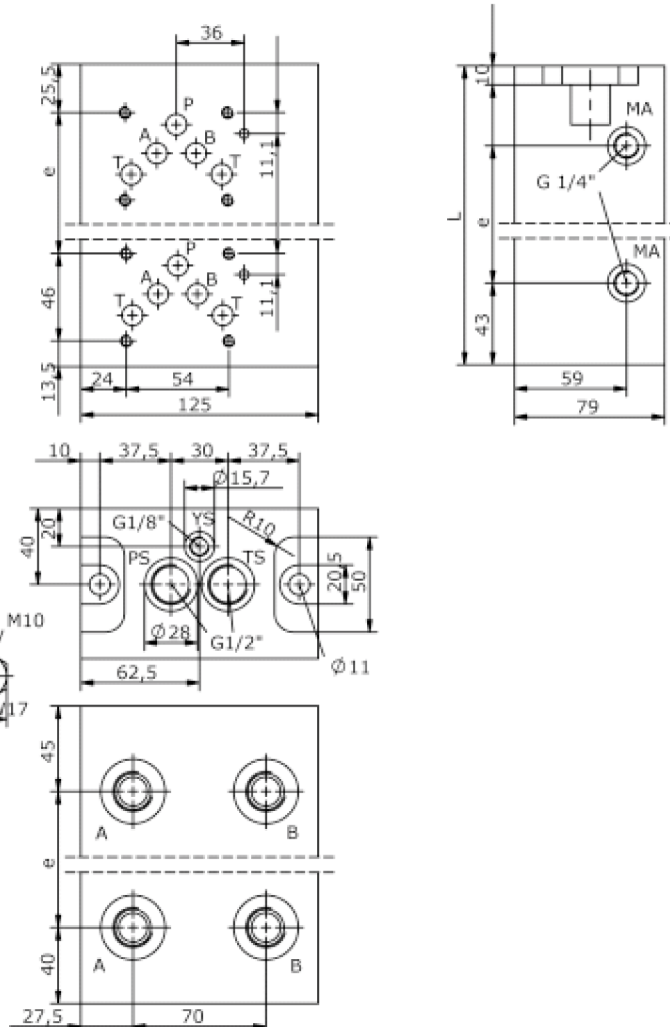
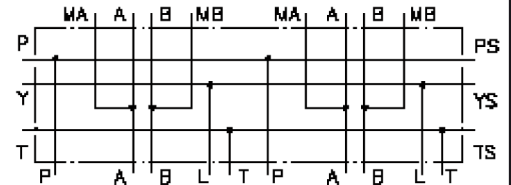


# multiple mounting block CETOP 5 ((stack screws included) with Y)

MBSY-10A-.A/B..

IM-990-100-00

(subject to change)



# multiple mounting block CETOP 5 ((stack screws included) with Y)

MBSY-10A-.A/B..



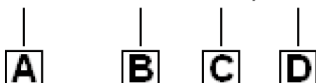
Motrac Hydraulik GmbH  
Siemensring 87 - D-47877 Willich  
fon +49-(0)2154-8162.0 - fax +49-(0)2154-8162.499  
e-mail info.miw@motracindustries.com  
internet www.motracindustries.com

IM-990-100-00

(subject to change)

## Ordering example:

MBSY - 10A - 2A / B04



## Model code:

- |          |   |          |   |
|----------|---|----------|---|
| <b>A</b> | <b>design</b><br>IMAV-stack system                                | <b>D</b> | <b>port size A and B</b><br>B04 = BSPP 1/2"<br>B06 = BSPP 3/4"<br>B08 = BSPP 1" |
| <b>B</b> | <b>size and material</b><br>10A = aluminum (F37)                  |          |   |
| <b>C</b> | <b>qty. of directional valves</b><br>number of directional valves |          |   |

## Technical Data:

**nominal pressure:** 250 bar

**weight:**

**included:** included  
2 pcs. O-Ring 21.82 x 3.53  
1 pcs. O-Ring 10.77 x 2.62  
2 pcs. stack screws